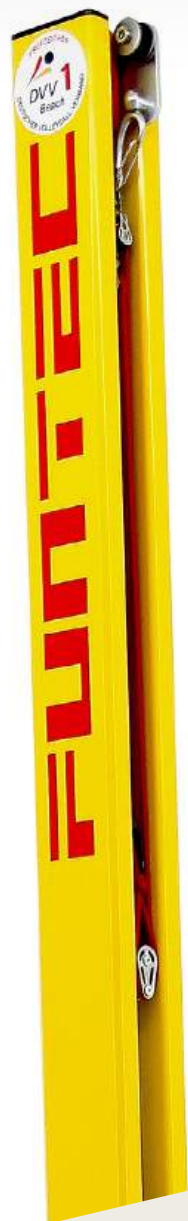


USER MANUAL

PRO BEACH NET POSTS



FUNTEC

TABLE OF CONTENTS

USER MANUAL FOR BEACH VOLLEYBALL NET POSTS PRO BEACH

3

GENERAL INFORMATION

4



FREESTANDING

ITEM-NO.: 111206 - WITH CITY BEACH SOCKETS

10



FIXED

ITEM-NO.: 111205 - WITH BOLT-DOWN SOCKETS

16



FLEXIBLE

ITEM-NO.: 111204 - WITH REMOVABLE SOCKETS

26

NET INSTALLATION & COURTLINE

30

SPARE PARTS



www.tuv.com
ID 1111225569

GENERAL INFORMATION



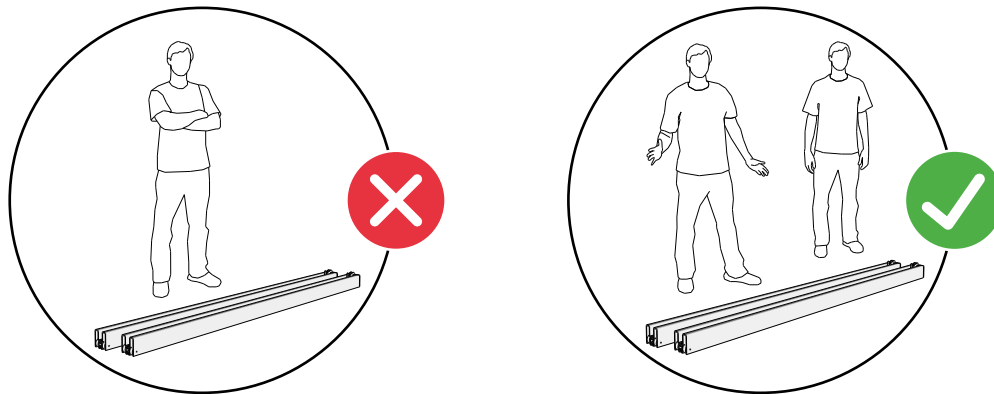
Please read carefully before assembly or use and retain for future use!

Safety instructions

- This product is designed for use at competitions and at top-class sports.
- This product may only be used for its intended purpose, namely for volleyball or similar sports.
- Before using this product, make sure it has been installed properly and all screw connections are properly tightened.
- This product is manufactured in accordance with DIN 33957:2012-04 and fulfils the requirements of DIN EN 1271:2015-01.
- If the posts are removed from the ground sockets, any remaining parts must be covered in such a way that they do not pose a risk of injury.

Assembly instructions

- This product has to be assembled with due care by an adult person. We recommend to call upon the help of at least one other person.
- A level surface measuring at least 14 x 22 m (for recreational sports) or 18 x 26 m (for competition sports) is required to set up this product.
- Depending on the installation variant, foundations of the size and quality described in this manual may be required.
- Please take no unnecessary risks while handling the equipment and be careful when assembling this product.



Maintenance and care

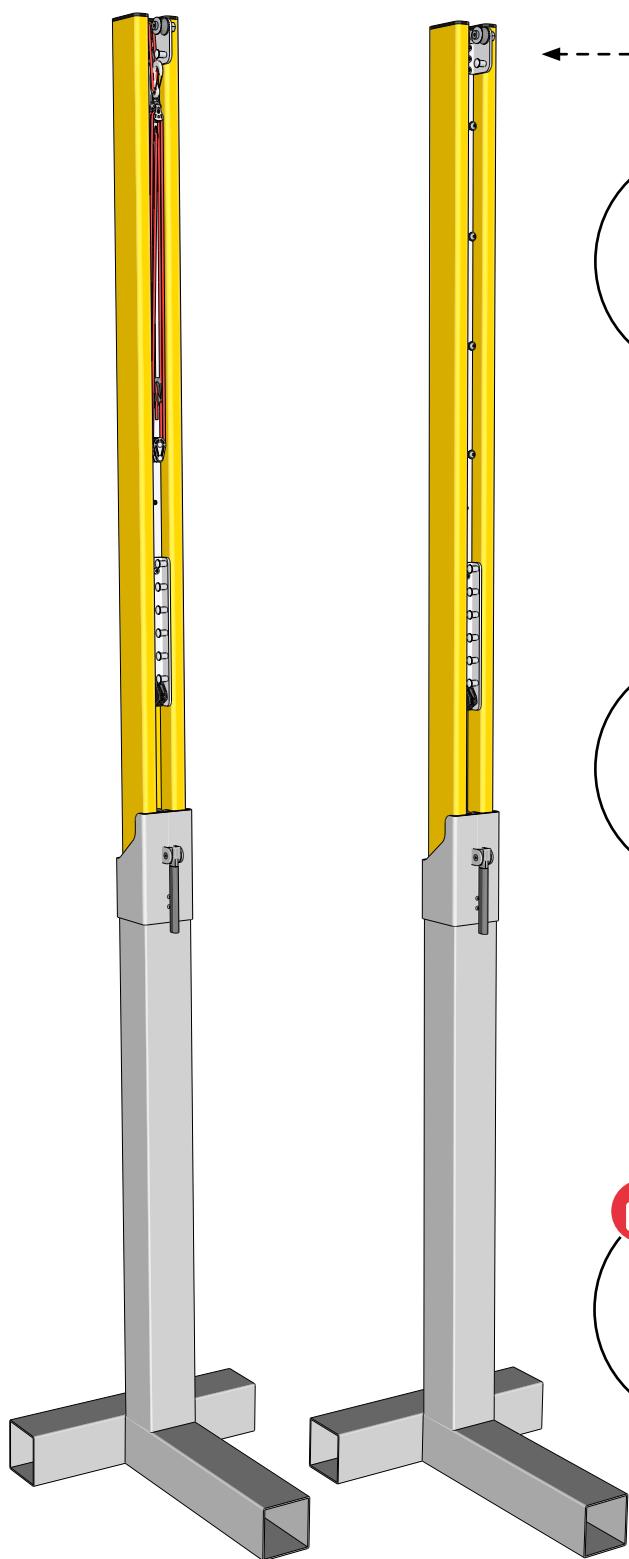
- This product does not require any special maintenance. However, it is necessary to check all components regularly for damage or deformation. Any damaged parts should be replaced as soon as possible.
- For thorough cleaning, ideally use water, together with a mild detergent if necessary. Do not use any corrosive, solvent or abrasive cleaning agents.
- Store in a dry place, ideally at a temperature between 10° and 25° C.



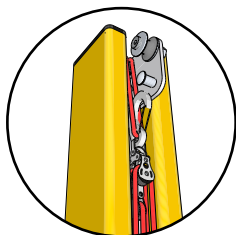
FREESTANDING

BEACH VOLLEYBALL POSTS PRO BEACH

ITEM-NO.: 111206 - WITH FREESTANDING GROUND SOCKETS („CITY BEACH“)

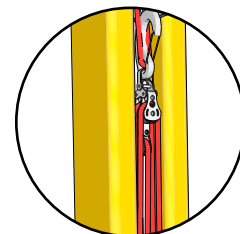


Pro Beach net posts made from powdercoated special aluminium profile (91 x 91 mm), telescopic height adjustment with special socket adapters

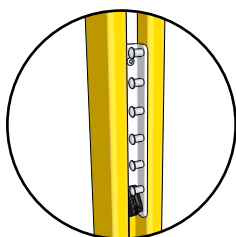


Single-arm suspension, allows easy mounting of net tension cable.

Rope pulley with triple block combination including a stainless steel carabiner with wire gate (for one-handed use).

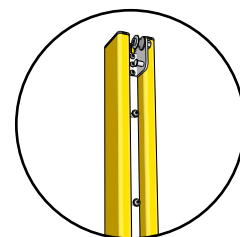


Pulley block system is self-balancing to pulling direction.

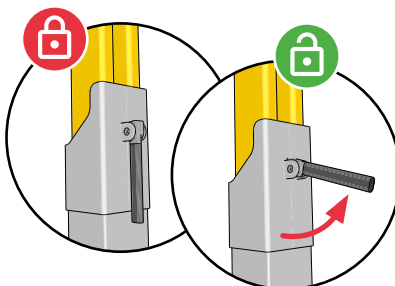


Lower net fastening console with open horizontal pins for selecting the optimum net cord angle.

With additional rope clamp for easy tensioning of the lower net ropes.



Tensioning counter slider with vertical row of four knobs, ideal for choosing the best net pre-tension with differing cable lengths.



Pro Beach sockets with easy-to-use eccentric lever lock.

Maximum ease of use thanks to clear lever positions (open/close)

Ground sockets with T-base for a freestanding installation with square timbers.

SCOPE OF DELIVERY

ITEM-NO.: 111206

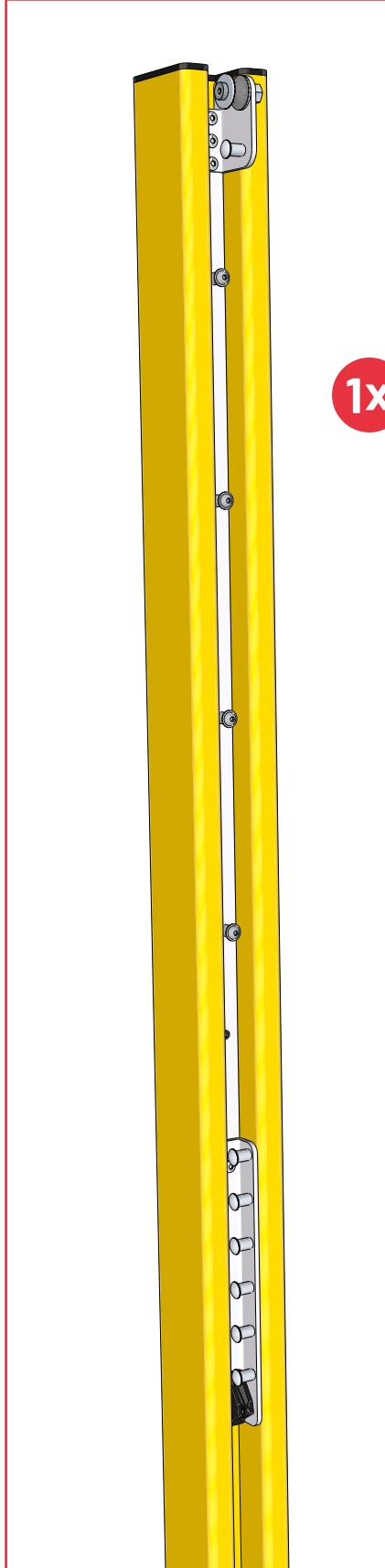


FREESTANDING

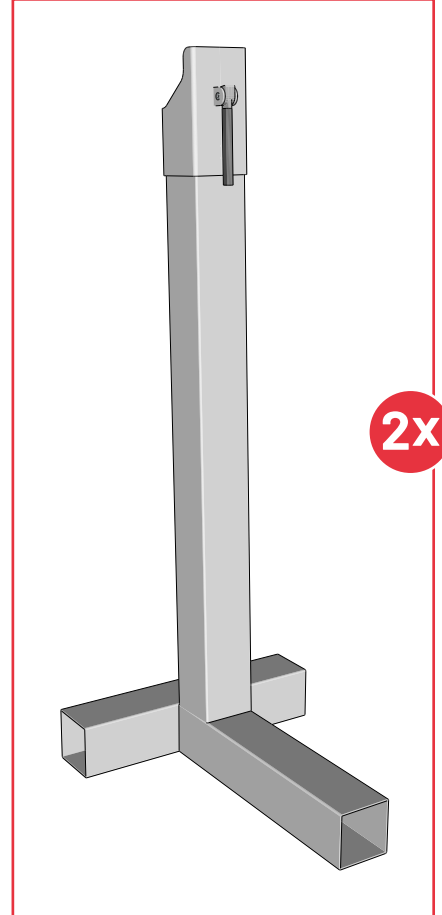
Net post with pulley block tensioning slider



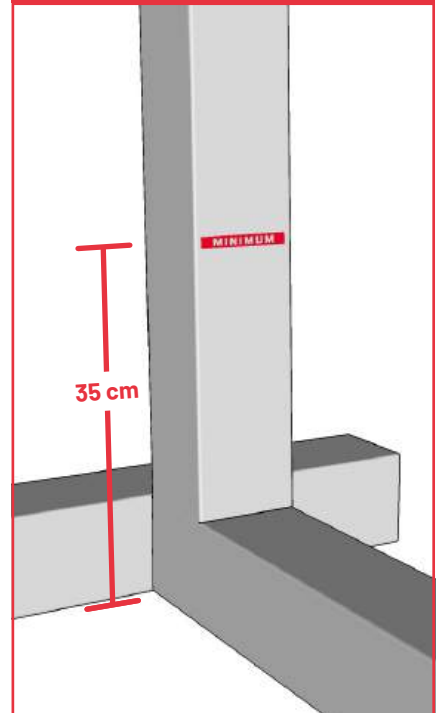
Net post with counter slider



Pro Beach socket with T-base



Minimum sand level (35 cm)

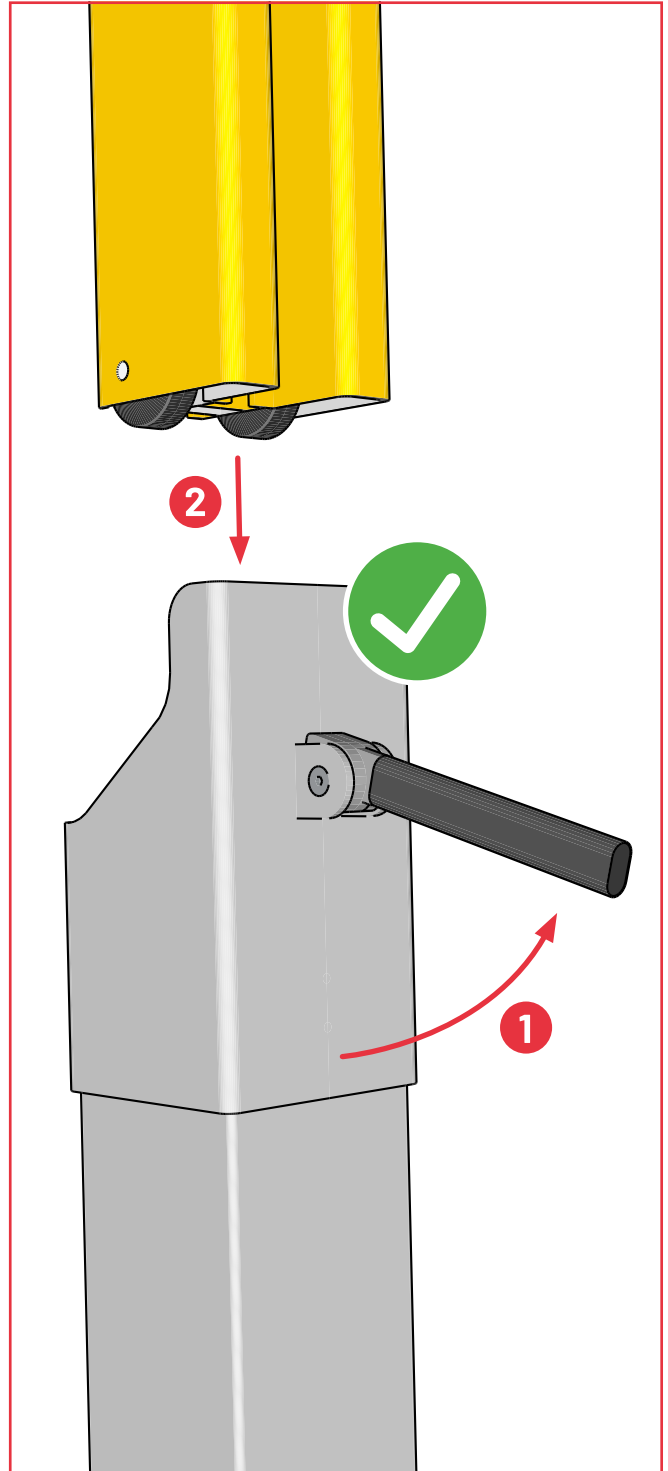
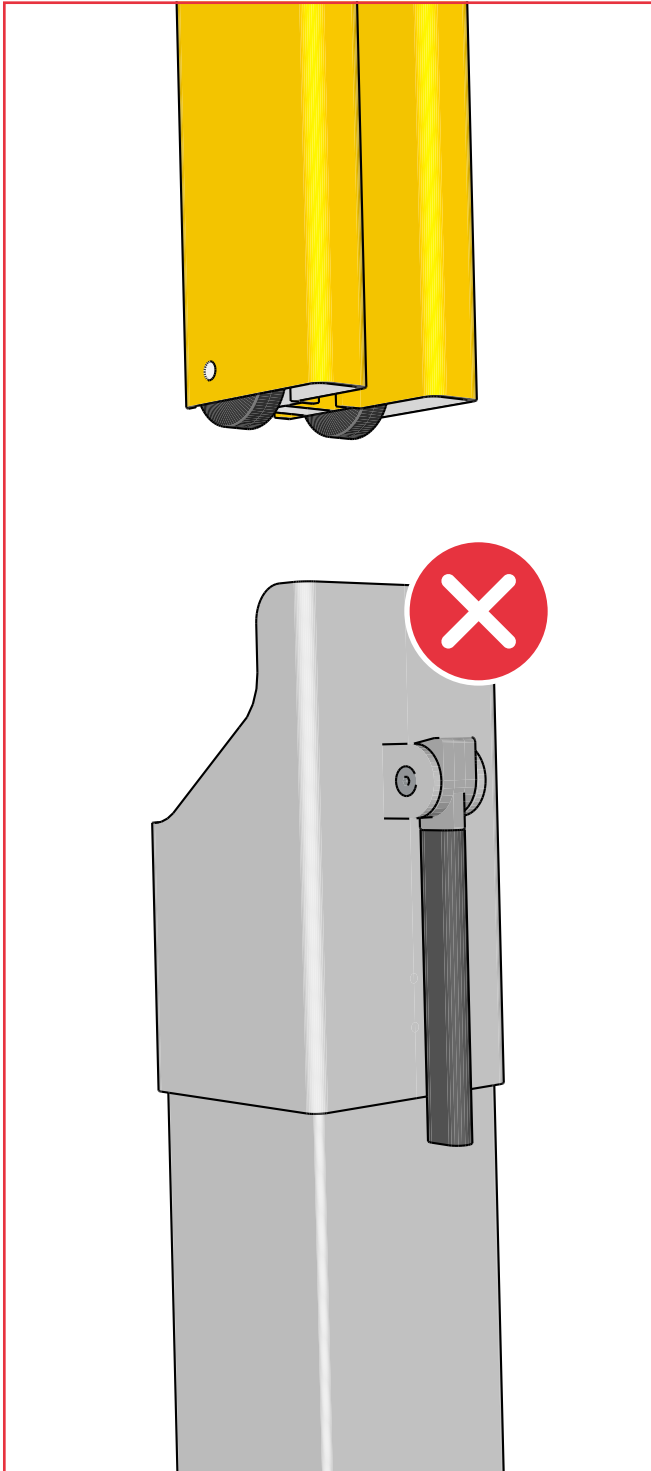


NOTICE!

ITEM-NO.: 111206



FREESTANDING





FREESTANDING

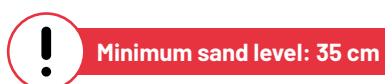
INSTALLATION STEPS

ITEM-NO.: 111206

General information on building beach volleyball courts:

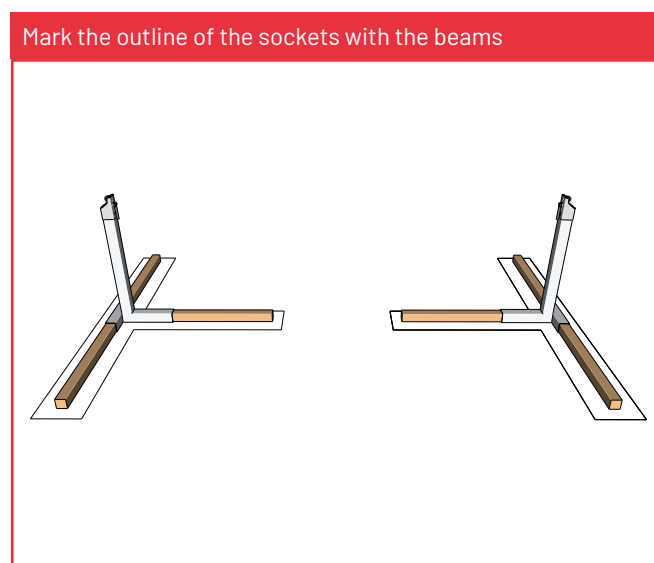
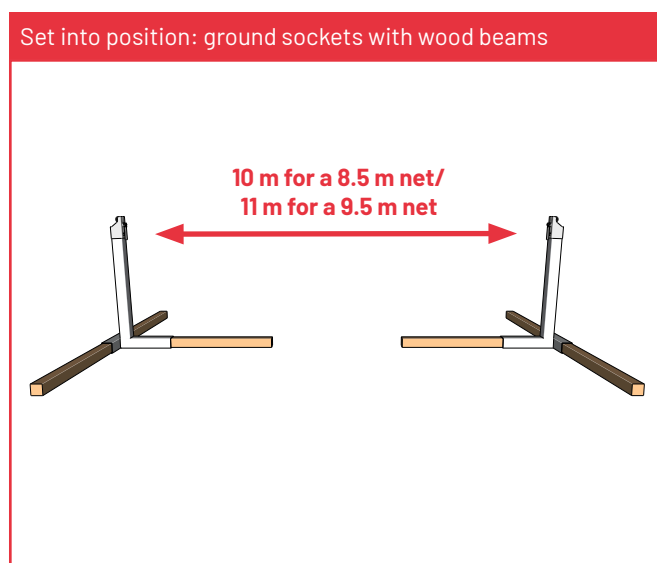
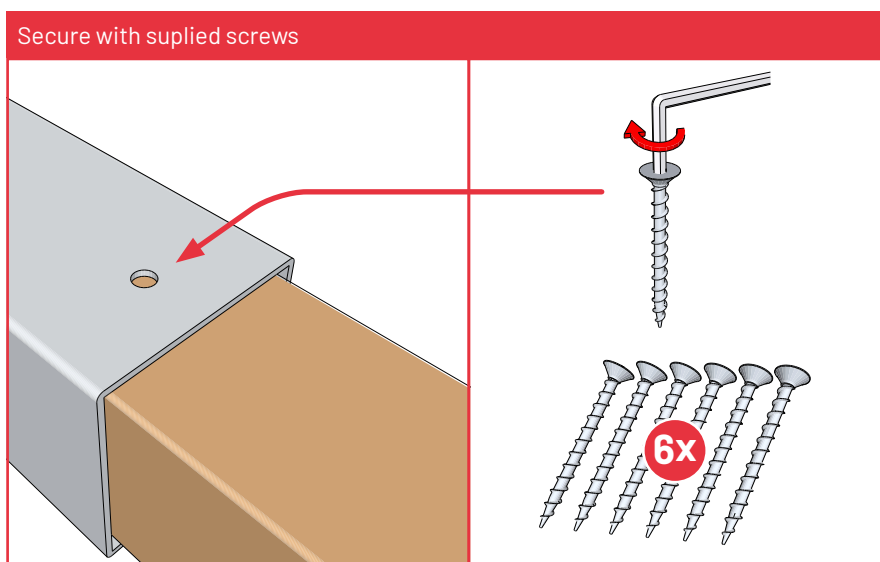
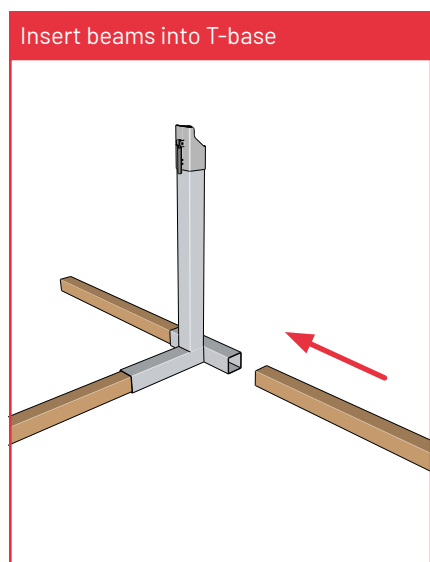
When building a sand court we suggest to fill up the sand first of all. Afterwards you can just dig in the freestanding City Beach ground sockets and set up the net system. We consider a permanent sand level of 40-50 cm as ideal. It is recommended to fill the sand higher towards the centre of the two halves of the court. It will be „played away“ from here towards the net and outwards. Please make sure to create a minimum sand level of 35 cm around the ground sockets for this type of ground installation.

Example: Approximately 250 tons sand are required for a sand court with 14 x 22 m dimensions (for recreational sports) and a sand level of approximately 45 cm. Calculation: volume in m³ x density factor (e.g.: 1.8 - depending on the grain size and the sand quality).



Required for assembly:

Pressure-treated square wood beams, 6 pieces, each 1500 x 88 x 88 mm (maximum dimensions: 1500 x 90 x 90 mm), e.g. made of pine wood or equivalent, suitable for permanent ground contact.



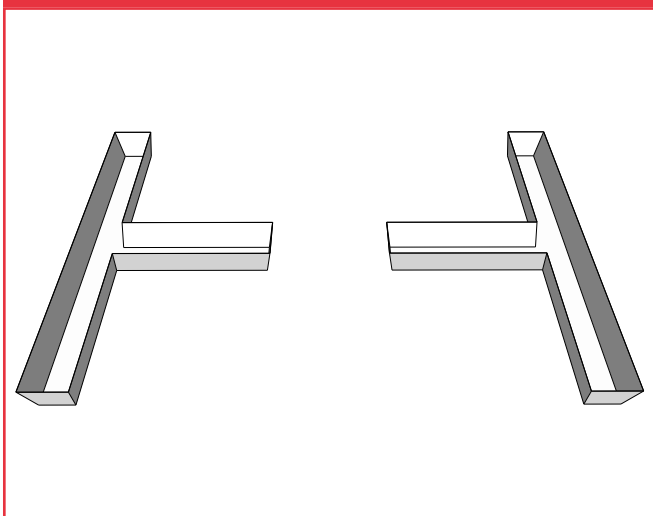


FREESTANDING

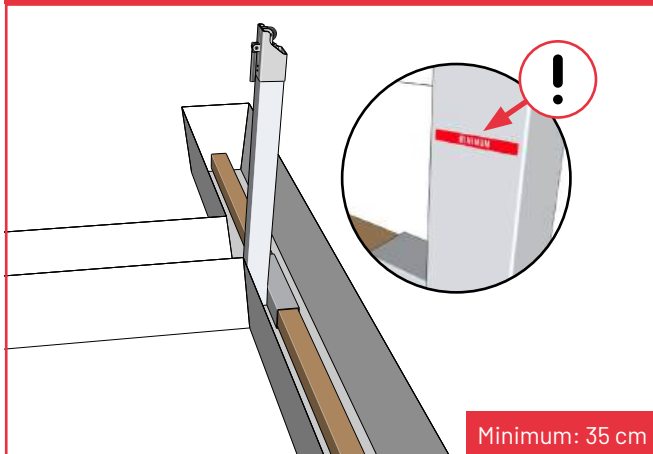
INSTALLATION STEPS

ITEM-NO.: 111206

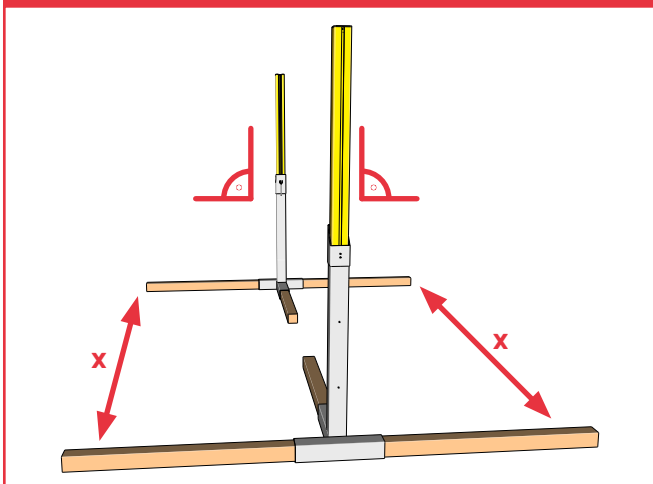
Excavate sand according to outlines



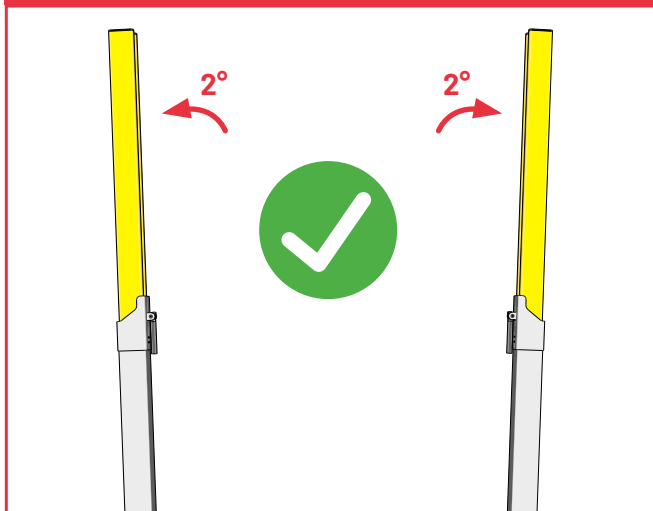
Place the ground sockets with the wood beams in the excavation, keeping a distance from it so that the sand edges do not collapse



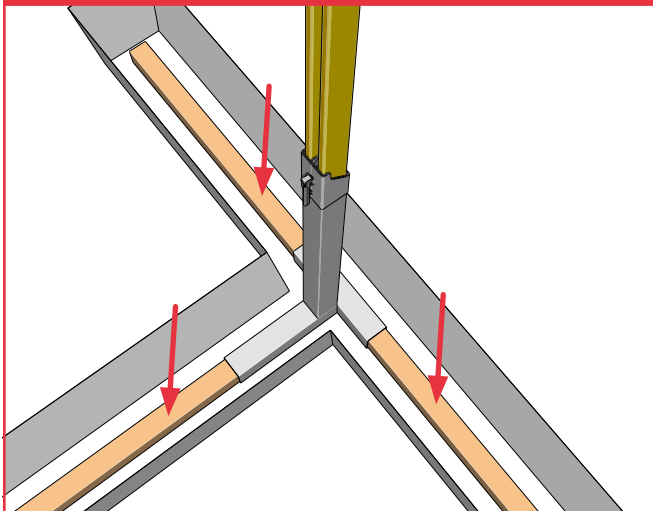
Align the sockets with each other - it is helpful to insert the net posts



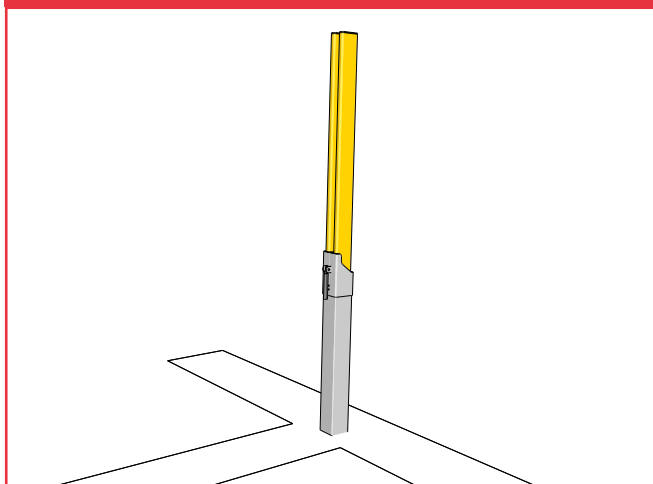
The sockets are already inclined outwards by 2° by design



Step on the wood beams to press them firmly into the sand



Fill up the excavation. Be careful not to move the beams when doing this!



ACCESSORIES

ITEM-NO.: 111206



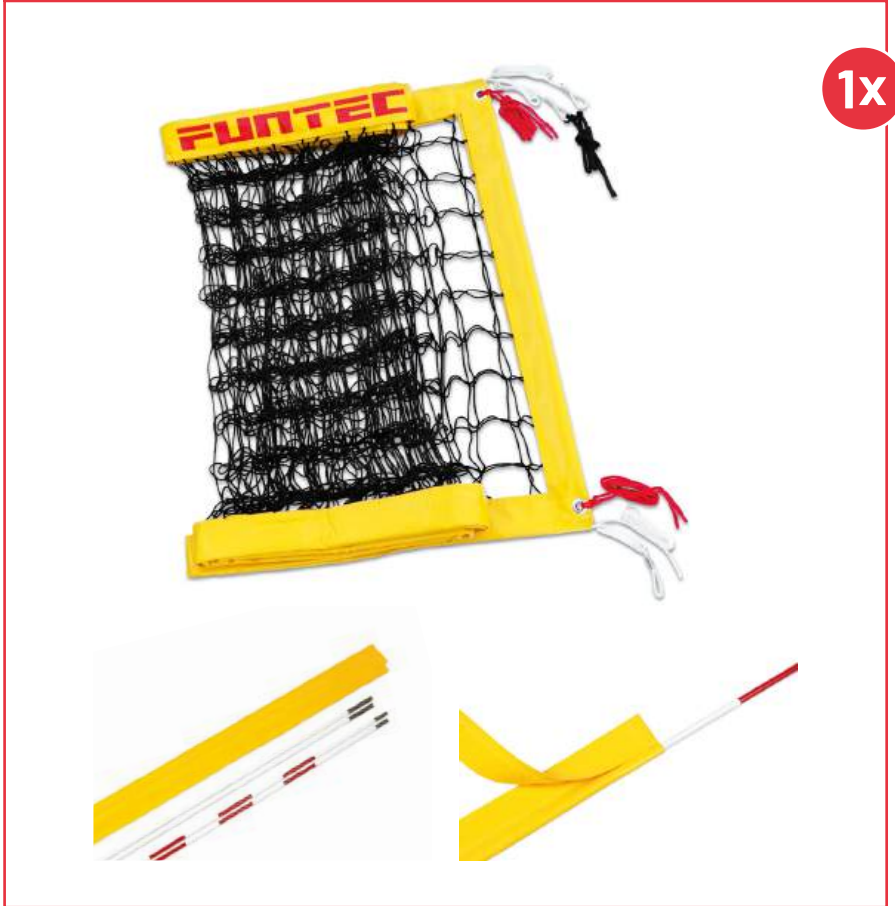
FREESTANDING

Square wood beams, 6-piece, for 1 pair of net posts, Item-No.: 111232



1x

Pro Beach net PLUS, incl. net antennas PLUS, 2-piece, with velcro strap net holders, Item-No.: 111601



1x

Pro Beach courtline
Item-No.: 111304



1x

Post pads, square-cut (100 x 100 mm), 1 pair
Item-No.: 111353



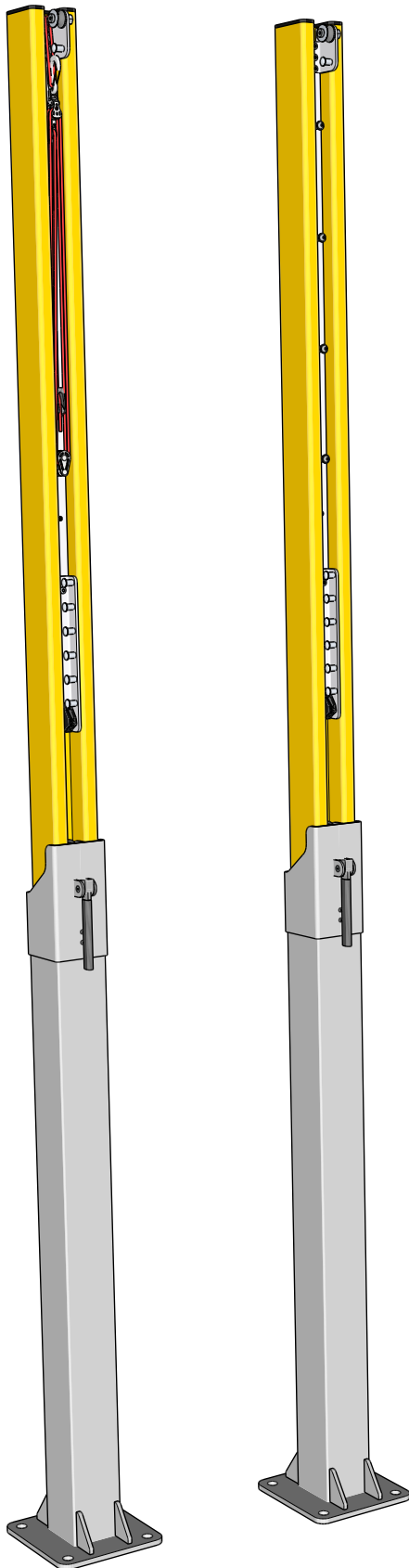
1x



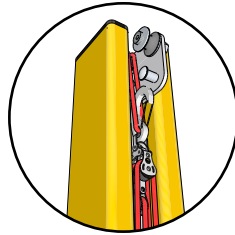
FIXED

BEACH VOLLEYBALL POSTS PRO BEACH

ITEM-NO.: 111205 - WITH BOLT-DOWN SOCKETS

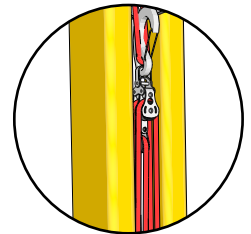


Pro Beach net posts made from powdercoated special aluminium profile (91 x 91 mm), telescopic height adjustment with special socket adapters

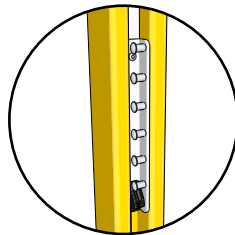


Single-arm suspension, allows easy mounting of net tension cable.

Rope pulley with triple block combination including a stainless steel carabiner with wire gate (for one-handed use).

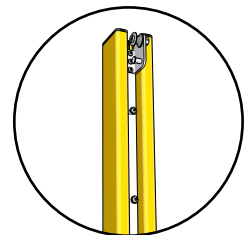


Pulley block system is self-balancing to pulling direction.

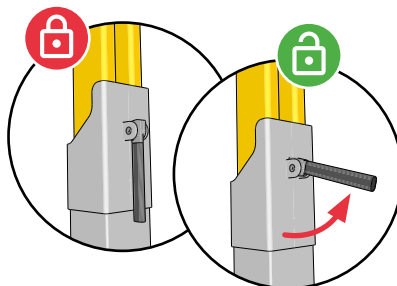


Lower net fastening console with open horizontal pins for selecting the optimum net cord angle.

With additional rope clamp for easy tensioning of the lower net ropes.



Tensioning counter slider with vertical row of four knobs, ideal for choosing the best net pre-tension with differing cable lengths.



Pro Beach sockets with easy-to-use eccentric lever lock.

Maximum ease of use thanks to clear lever positions (open/close)

Ground sockets with bolt-down base for installation on a concrete foundation

SCOPE OF DELIVERY

ITEM-NO.: 111205



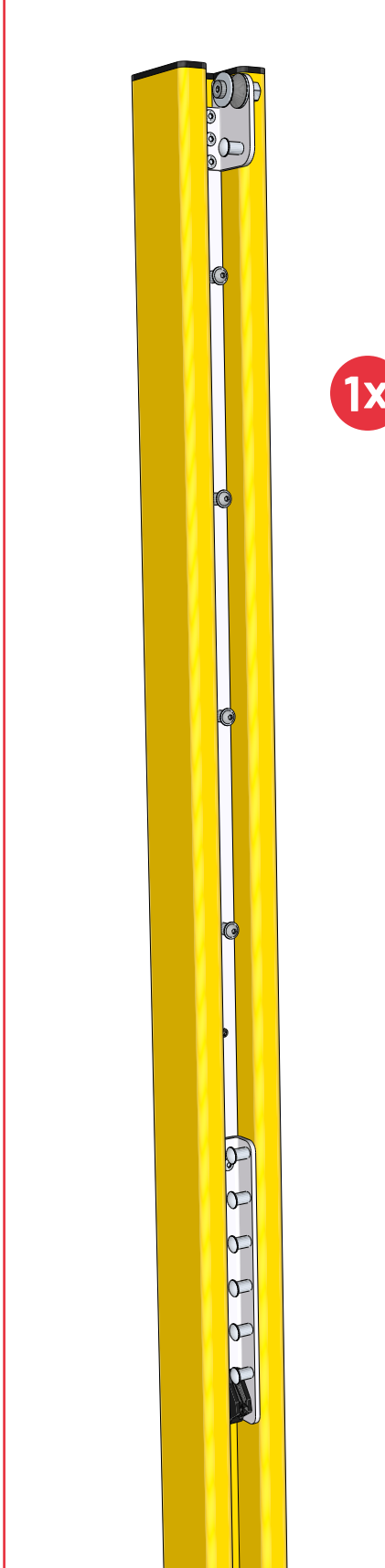
FIXED

Net post with pulley block tensioning slider



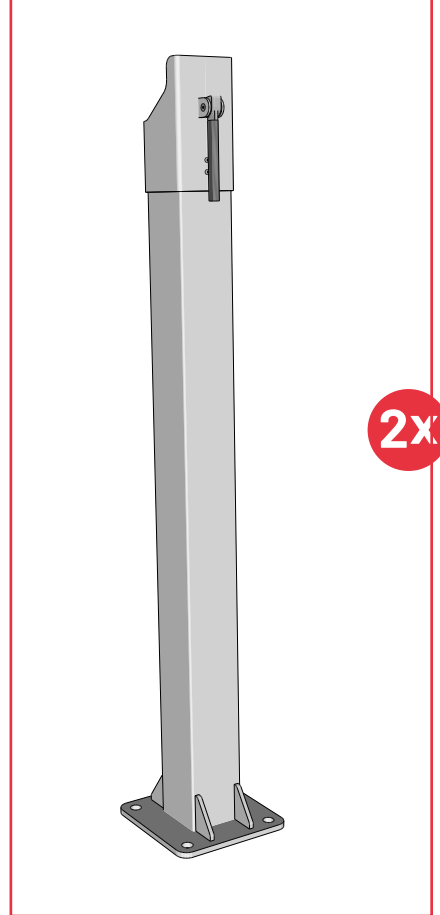
1x

Net post with counter slider



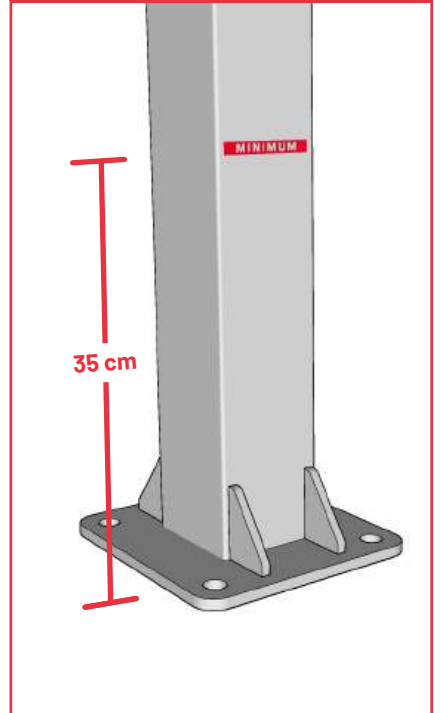
1x

Pro Beach socket with bolt-down base



2x

Minimum sand level (35 cm)

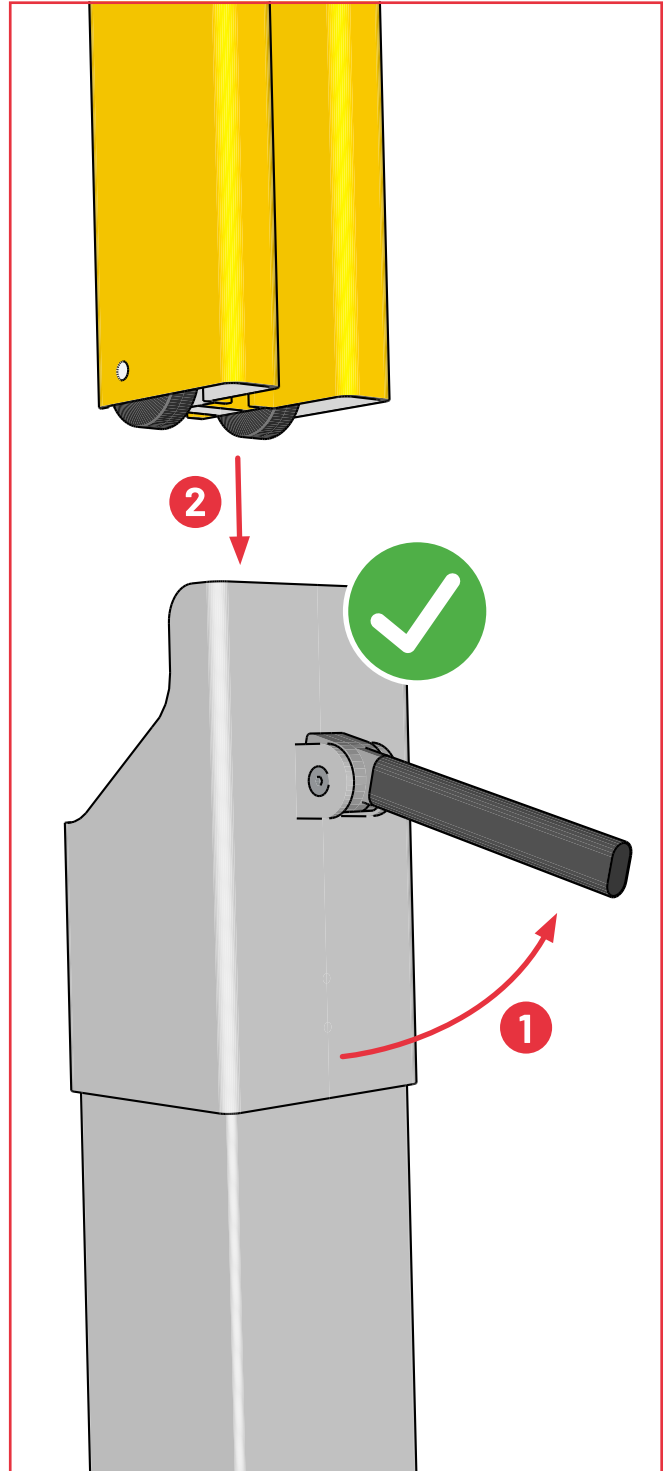
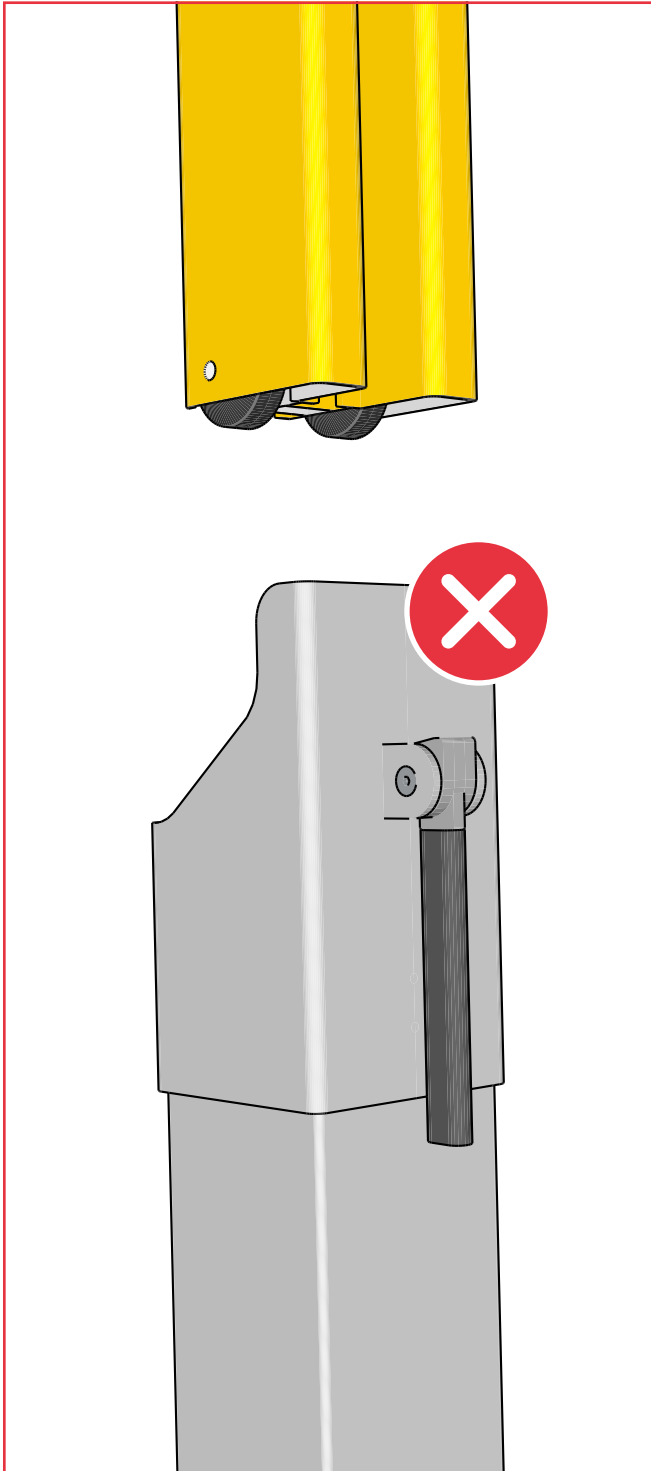


NOTICE!

ITEM-NO.: 111205



FIXED



INSTALLATION STEPS

ITEM-NO.: 111205



FIXED

General information on building beach volleyball courts:

When building a sand court we suggest to fill up the sand first of all. Afterwards you can just dig in the freestanding City Beach ground sockets and set up the net system. We consider a permanent sand level of 40-50 cm as ideal. It is recommended to fill the sand higher towards the centre of the two halves of the court. It will be „played away“ from here towards the net and outwards. Please make sure to create a minimum sand level of 35 cm around the ground sockets for this type of ground installation.

Example: Approximately 250 tons sand are required for a sand court with 14 x 22 m dimensions (for recreational sports) and a sand level of approximately 45 cm. Calculation: volume in m³ x density factor (e.g.: 1.8 - depending on the grain size and the sand quality).



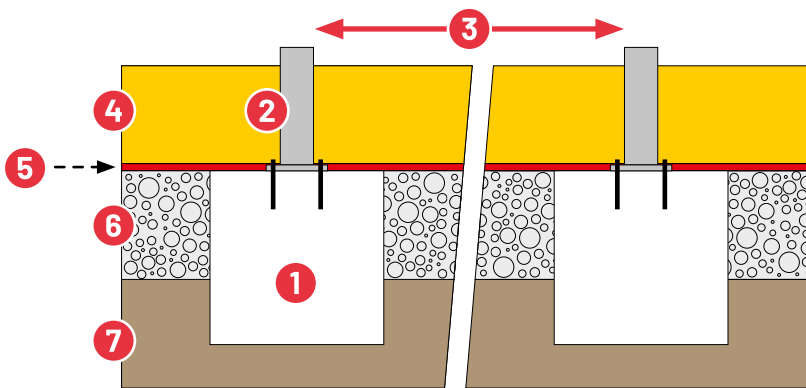
Minimum sand level: 35 cm

Required for assembly:

Single foundations with closed surface:

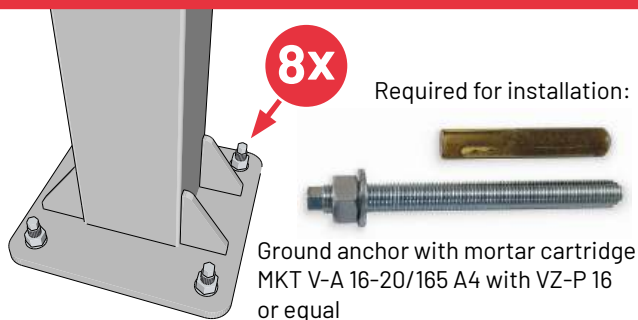
Distance (clear span between sockets): 10 m for a 8.5 m net, 11 m for a 9.5 m net

Distance between foundation midpoints: 10.10 m for a 8.5 m net, 11.10 m for a 9.5 m net



1	Foundation, dimensions: 80 x 80 x 80 cm, class C25/30, built-in welded wire fabric (Q188A)
2	Ground socket, bolted onto the concrete foundation
3	Distance (clear span): 10 m for a 8.5 m net, 11 m for a 9.5 m net Distance between foundation midpoints: 10.10 m for a 8.5 m net, 11.10 m for a 9.5 m net
4	Sand (minimum sand level: see red marking)
5	Drainage matting/geomembrane
6	Drainage/base layer, 50 cm approx.
7	Soil

Screw down the sockets onto the foundation



The sockets are already inclined outwards by 2° by design



[Download
installation info](#)

ACCESSORIES

ITEM-NO.: 111205



FIXED

Steel ground anchor, with mortar cartridge, Item-No.: 111213



8x

Download
installation info

Pro Beach net PLUS, incl. net antennas PLUS, 2-piece, with velcro strap net holders, Item-No.: 111601



1x



Pro Beach courtline
Item-No.: 111304



1x



Post pads, square-cut (100 x 100 mm), 1 pair
Item-No.: 111353



1x



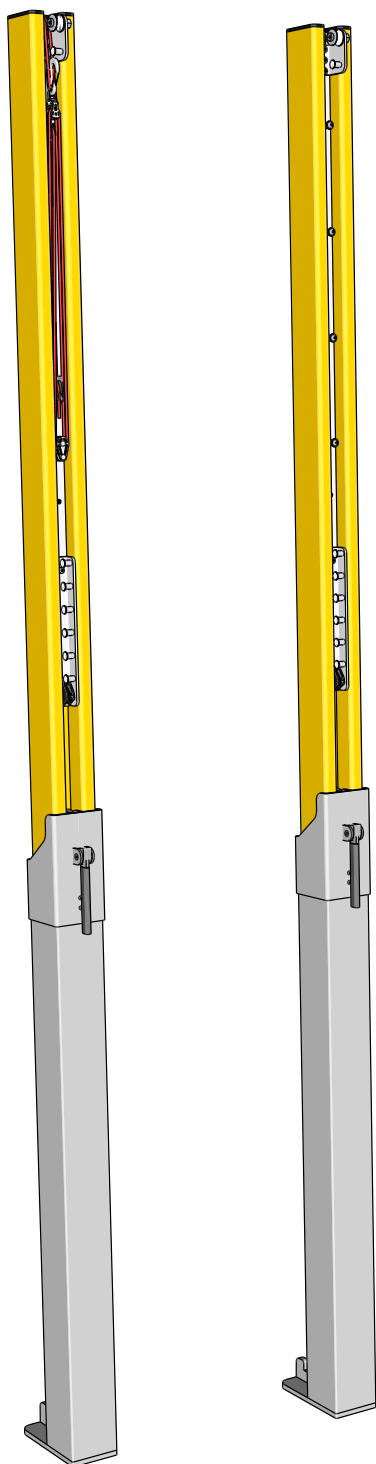




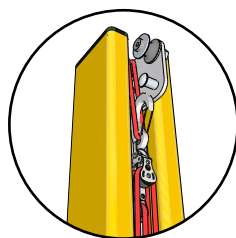
FLEXIBLE

BEACH VOLLEYBALL POSTS PRO BEACH

ITEM-NO.: 111204 - WITH REMOVABLE SOCKETS

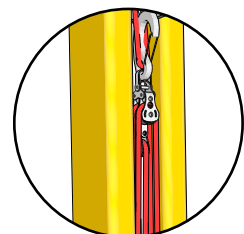


Pro Beach net posts made from powdercoated special aluminium profile (91 x 91 mm), telescopic height adjustment with special socket adapters

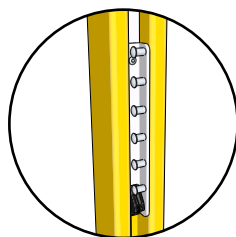


Single-arm suspension, allows easy mounting of net tension cable.

Rope pulley with triple block combination including a stainless steel carabiner with wire gate (for one-handed use).

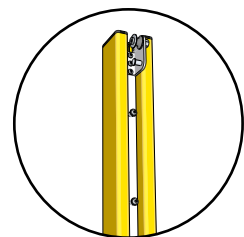


Pulley block system is self-balancing to pulling direction.

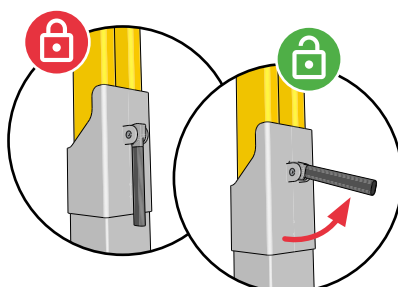


Lower net fastening console with open horizontal pins for selecting the optimum net cord angle.

With additional rope clamp for easy tensioning of the lower net ropes.

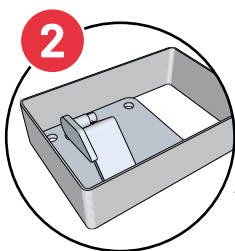
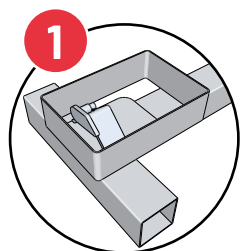


Tensioning counter slider with vertical row of four knobs, ideal for choosing the best net pre-tension with differing cable lengths.



Pro Beach sockets with easy-to-use eccentric lever lock.

Maximum ease of use thanks to clear lever positions (open/close)



1
Switch ground plate with T-base for a freestanding installation with wooden beams

2
Switch bolt-down ground plate for an installation on a concrete foundation

SCOPE OF DELIVERY

ITEM-NO.: 111204



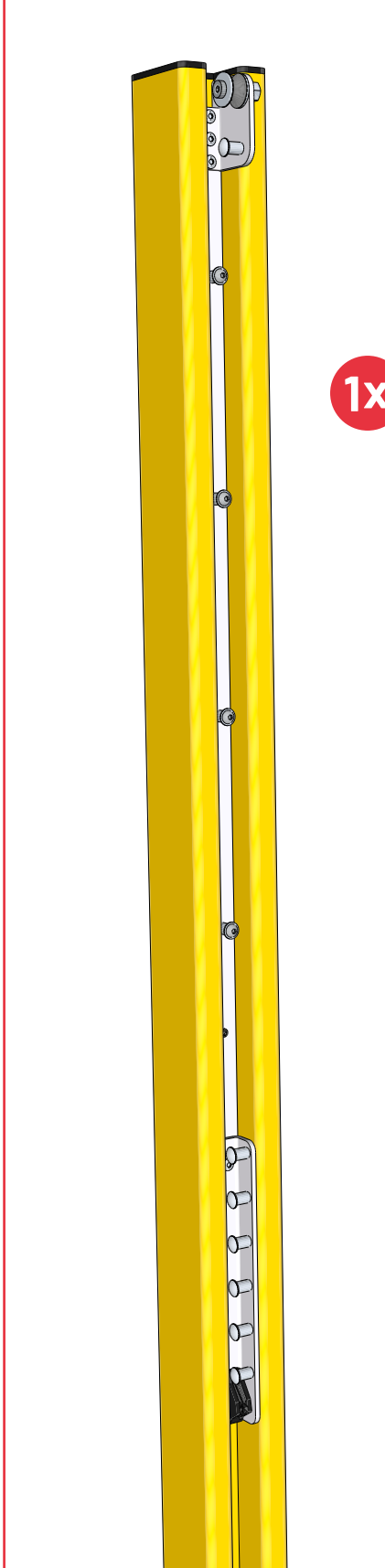
FLEXIBLE

Net post with pulley block tensioning slider



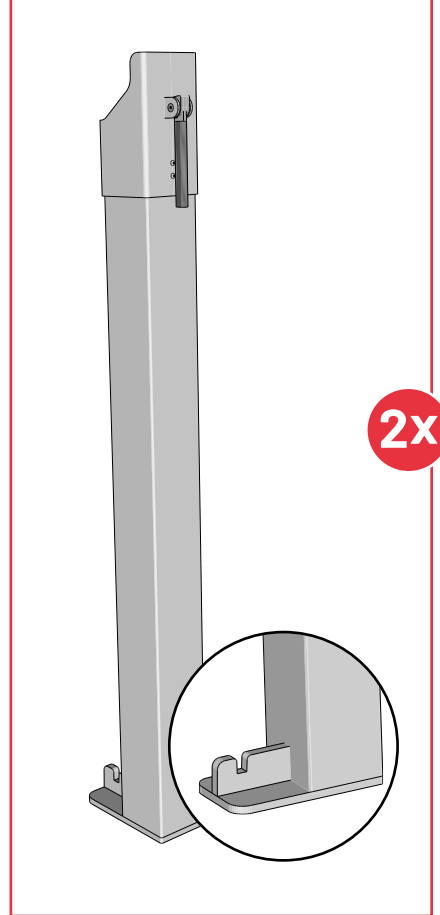
1x

Net post with counter slider



1x

Pro Beach Bodenhülse, removable



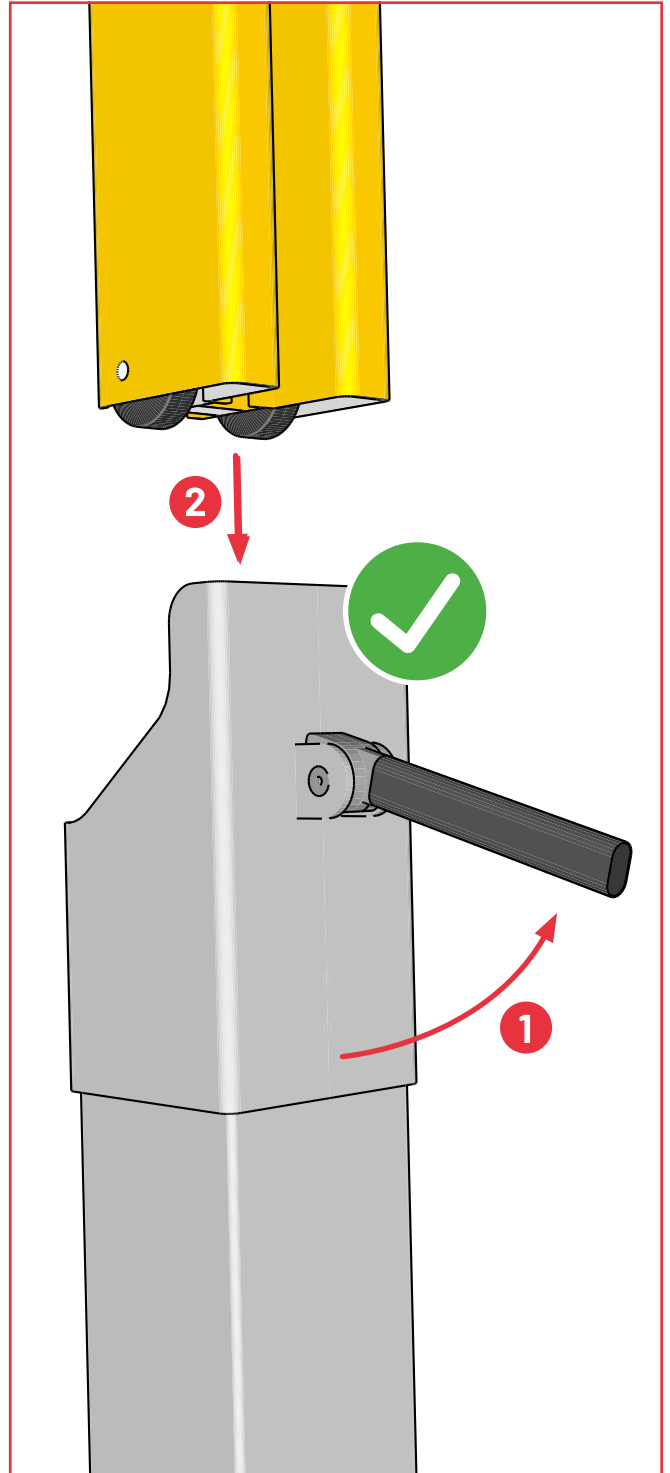
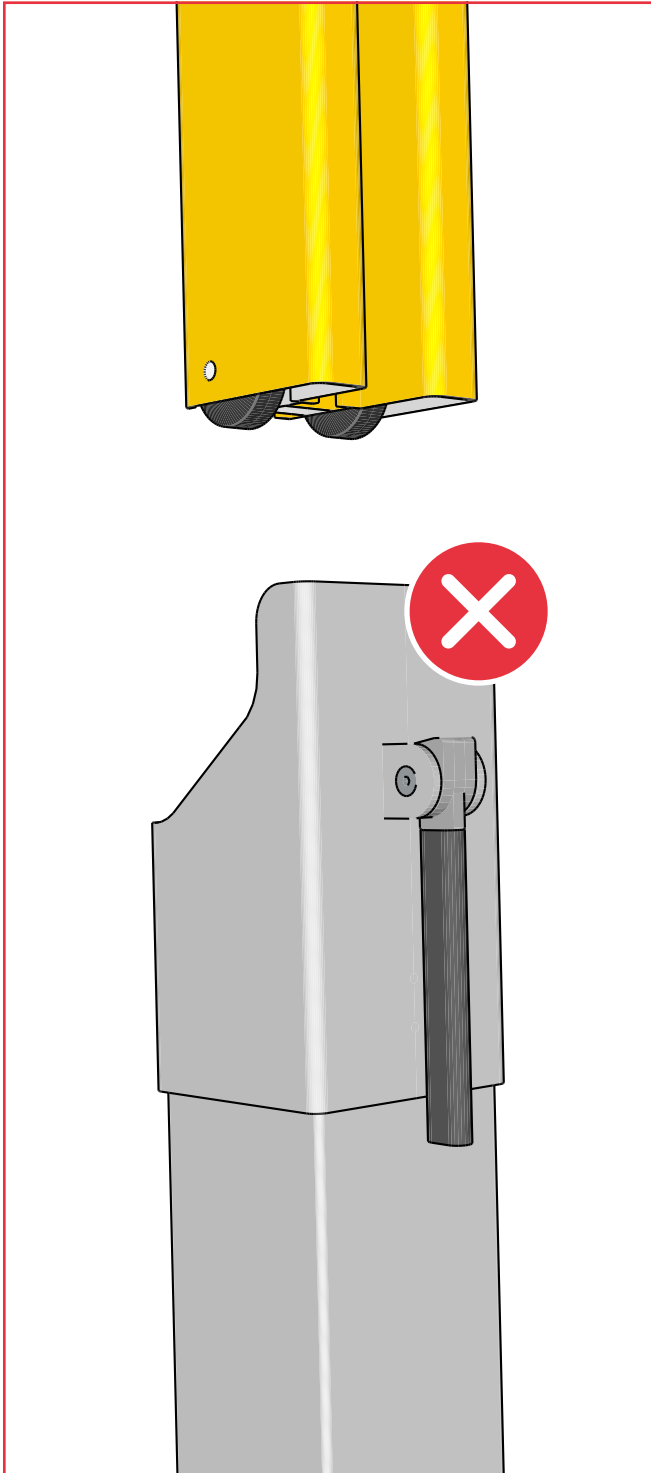
2x

NOTICE!

ITEM-NO.: 111204



FLEXIBLE



INSTALLATION OPTIONS

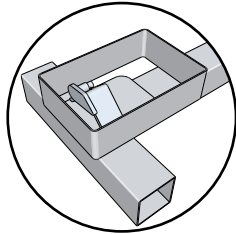
ITEM-NO.: 111204



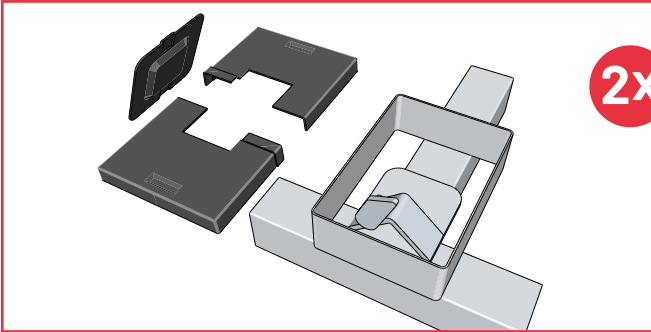
FLEXIBLE



FREESTANDING

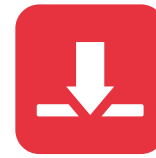


Switch ground plate with T-base, incl. sand protection frame and a 3-piece plastic cover, Item-No.: 111220

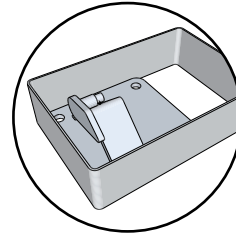


+

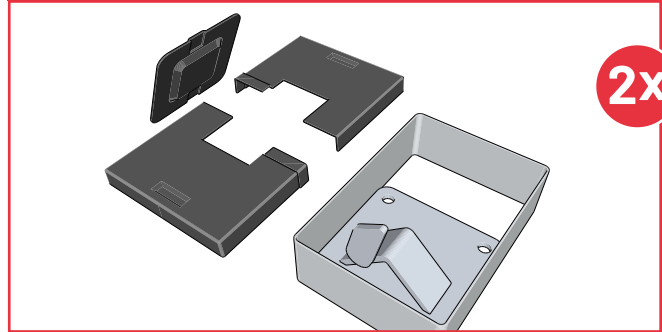
Square wood beams, 6-piece, for 1 pair of net posts
Item-No.: 111232



FIXED

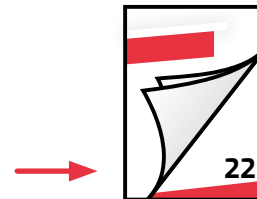
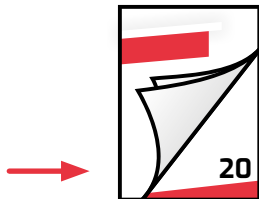


Switch bolt-down ground plate, incl. sand protection frame and a 3-piece plastic cover, Item-No.: 111219



+

Steel ground anchor, with mortar cartridge
Item-No.: 111213



INSTALLATION STEPS

ITEM-NO.: 111204



General information on building beach volleyball courts:

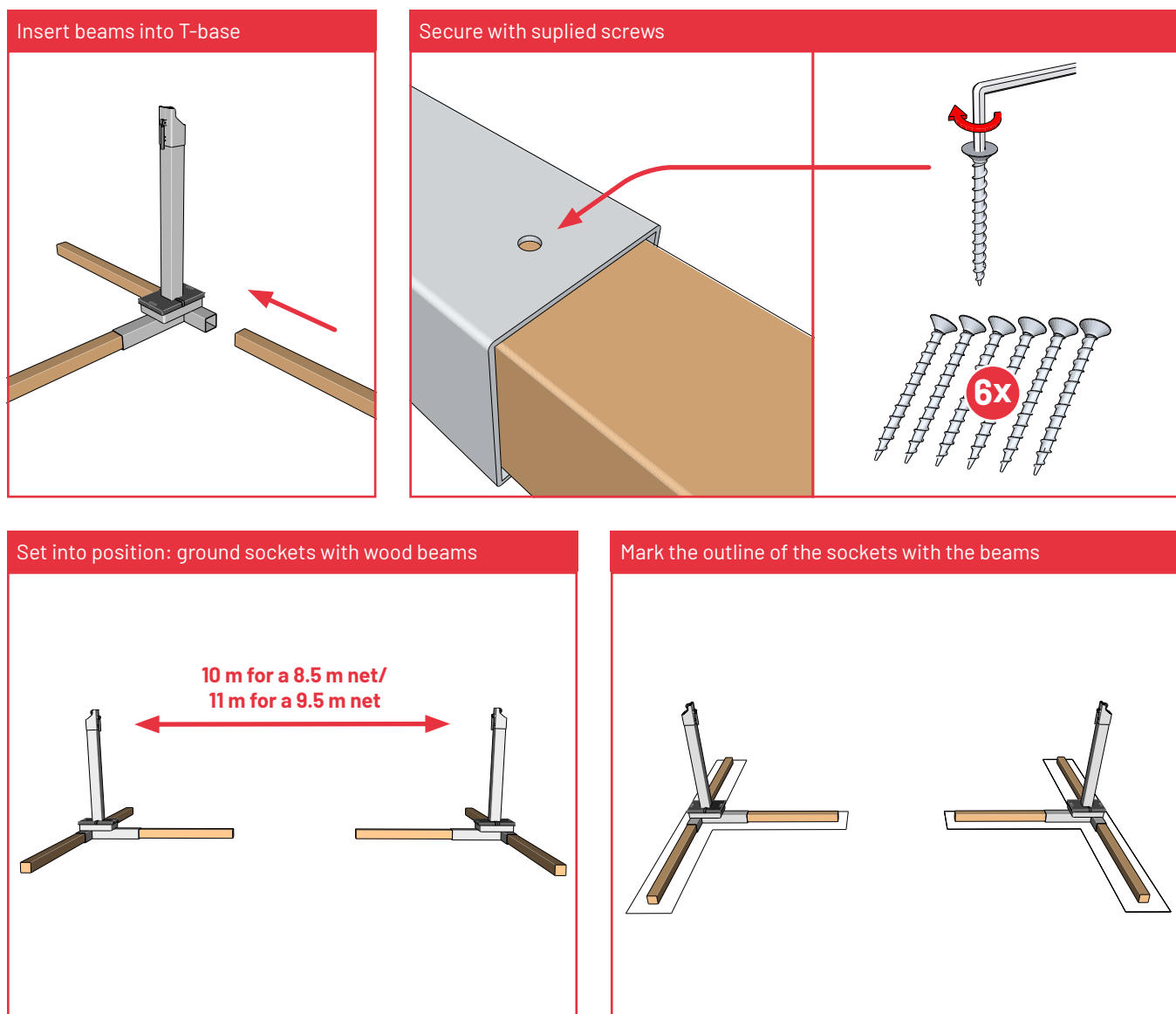
When building a sand court we suggest to fill up the sand first of all. Afterwards you can just dig in the freestanding City Beach ground plates with sockets and set up the net system. We consider a permanent sand level of 40-50 cm as ideal. It is recommended to fill the sand higher towards the centre of the two halves of the court. It will be „played away“ from here towards the net and outwards. Please make sure to create a minimum sand level of 40 cm around the ground sockets for this type of ground installation.

Example: Approximately 250 tons sand are required for a sand court with 14 x 22 m dimensions (for recreational sports) and a sand level of approximately 45 cm. Calculation: volume in m³ x density factor (e.g.: 1.8 - depending on the grain size and the sand quality).



Required for assembly:

Pressure-treated square wood beams, 6 pieces, each 1500 x 88 x 88 mm (maximum dimensions: 1500 x 90 x 90 mm), e.g. made of pine wood or equivalent, suitable for permanent ground contact.



INSTALLATION STEPS

ITEM-NO.: 111204

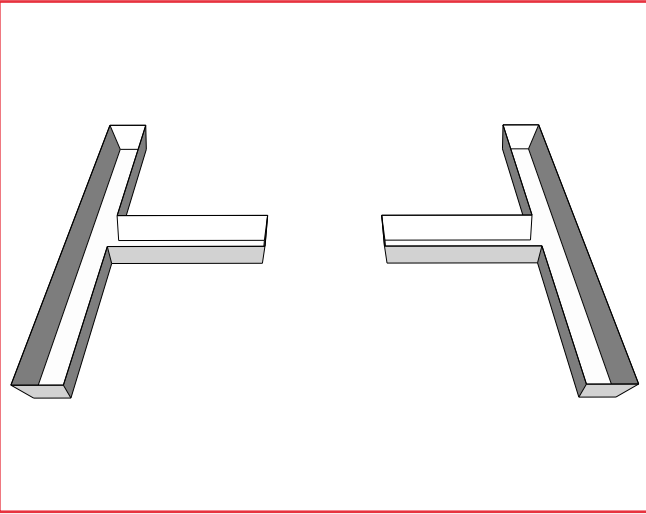


FREESTANDING

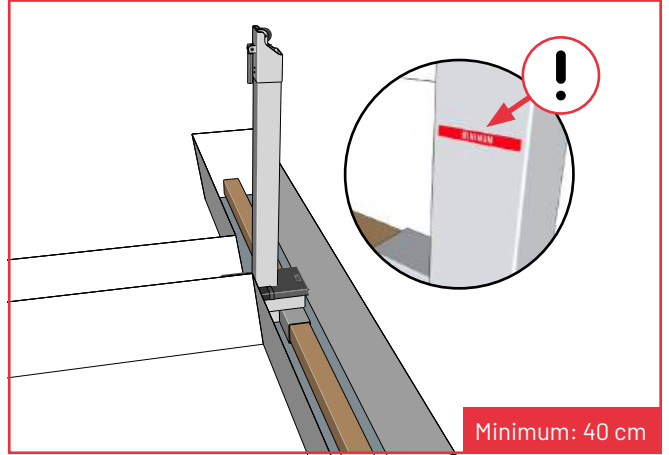


FLEXIBLE

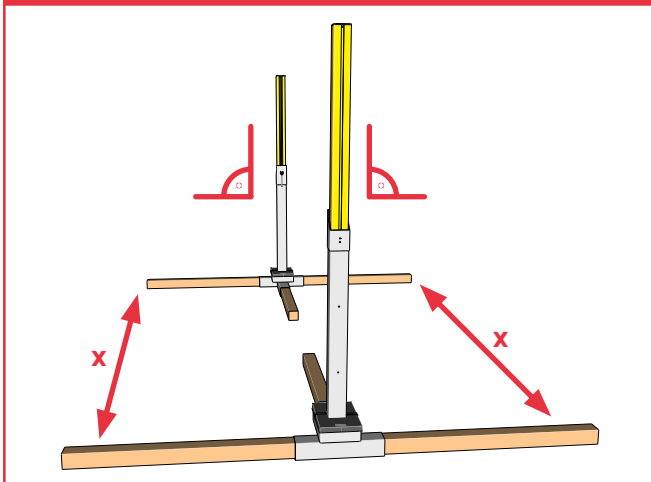
Excavate sand according to outlines



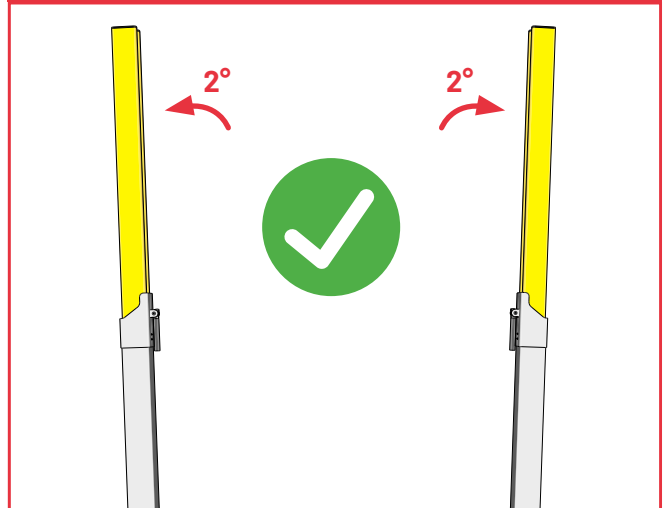
Place the ground sockets with the wood beams in the excavation, keeping a distance from it so that the sand edges do not collapse



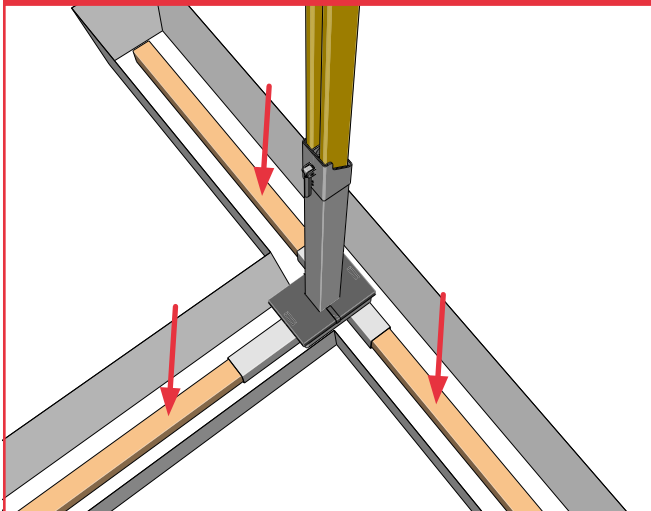
Align the sockets with each other - it is helpful to insert the net posts



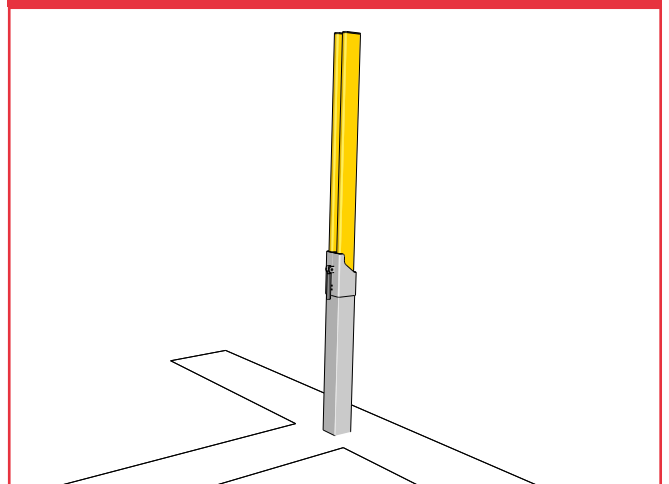
The sockets are already inclined outwards by 2° by design



Step on the wood beams to press them firmly into the sand



Fill up the excavation. Be careful not to move the beams when doing this!



INSTALLATION STEPS

ITEM-NO.: 111204



FIXED



FLEXIBLE

General information on building beach volleyball courts:

When building a sand court we suggest to fill up the sand first of all. Afterwards you can just dig in the freestanding City Beach ground sockets and set up the net system. We consider a permanent sand level of 40-50 cm as ideal. It is recommended to fill the sand higher towards the centre of the two halves of the court. It will be „played away“ from here towards the net and outwards. Please make sure to create a minimum sand level of 30 cm around the ground sockets for this type of ground installation.

Example: Approximately 250 tons sand are required for a sand court with 14 x 22 m dimensions (for recreational sports) and a sand level of approximately 45 cm. Calculation: volume in m³ x density factor (e.g.: 1.8 - depending on the grain size and the sand quality).



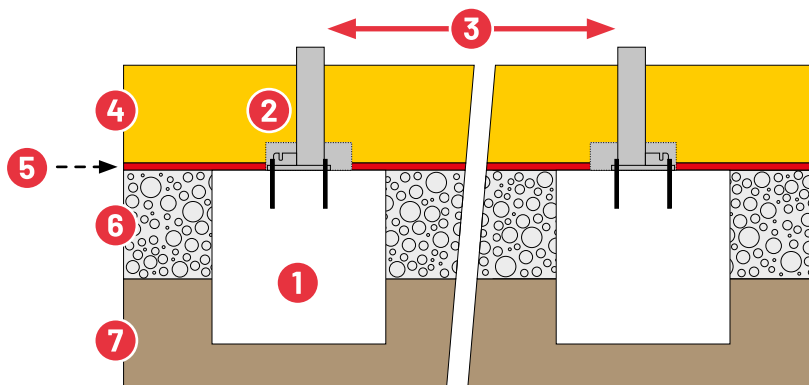
Minimum sand level: 30 cm

Required for assembly:

Single foundations with closed surface:

Distance (clear span between sockets): 10 m for a 8.5 m net, 11 m for a 9.5 m net

Distance between foundation midpoints: 10.20 m for a 8.5 m net, 11.20 m for a 9.5 m net



1	Foundation, dimensions: 80 x 80 x 80 cm, class C25/30, built-in welded wire fabric (Q188A)
2	Ground socket, bolted onto the concrete foundation
3	Distance (clear span): 10 m (for a 8.5 m net), 11 m for a 9.5 m net Distance between foundation midpoints: 10.20 m for a 8.5 m net, 11.20 m for a 9.5 m net
4	Sand (minimum sand level: see red marking)
5	Drainage matting/geomembrane
6	Drainage/base layer, 50 cm approx.
7	Soil

INSTALLATION STEPS

ITEM-NO.: 111204

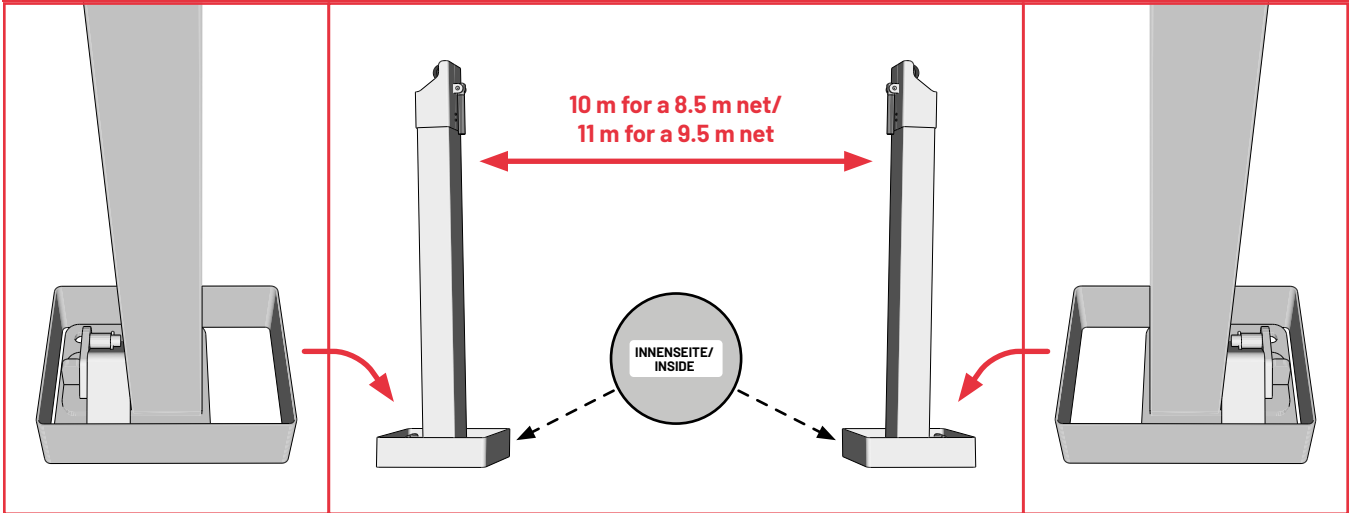


FIXED

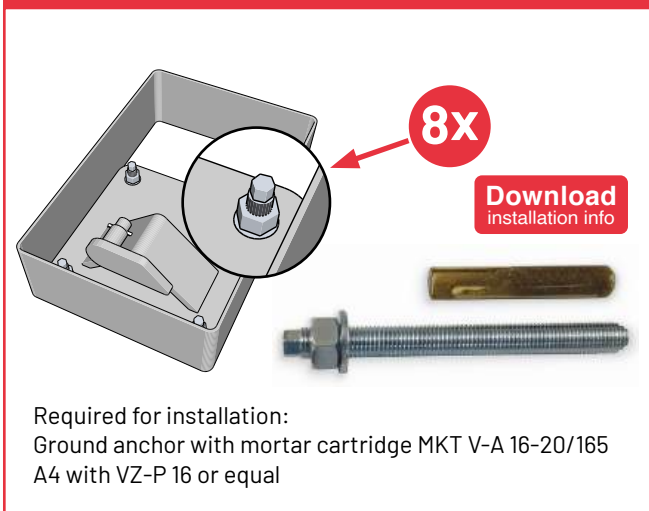


FLEXIBLE

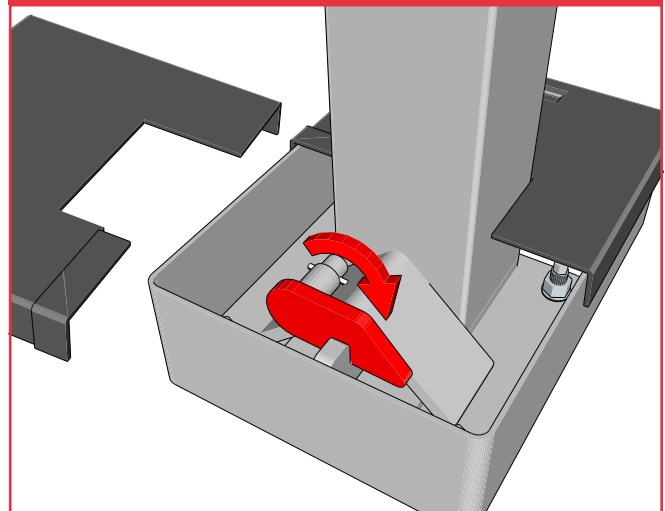
Distance and orientation of ground plates



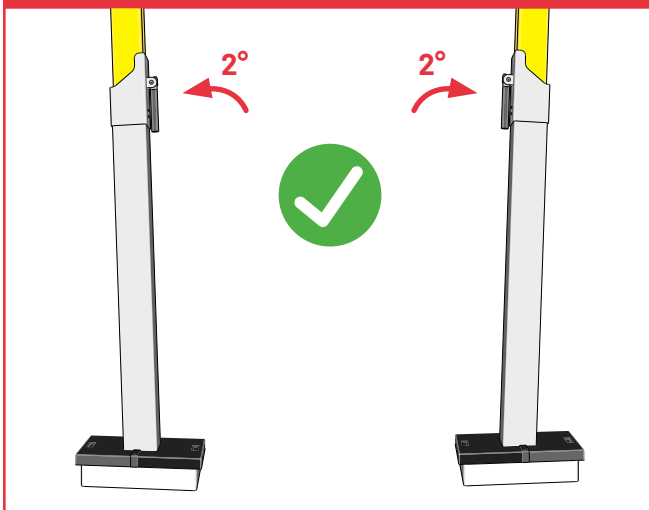
Screw down the sockets onto the foundation



Close the safety latch and install plastic cover



The sockets are already inclined outwards by 2° by design



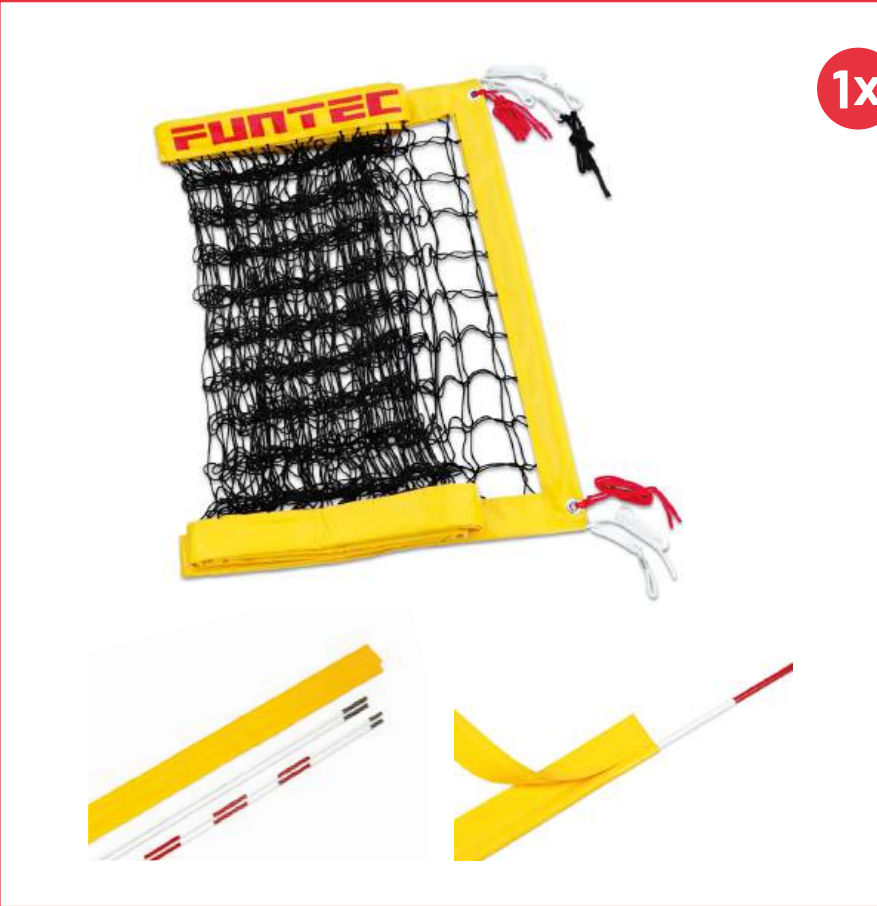
ACCESSORIES

ITEM-NO.: 111204

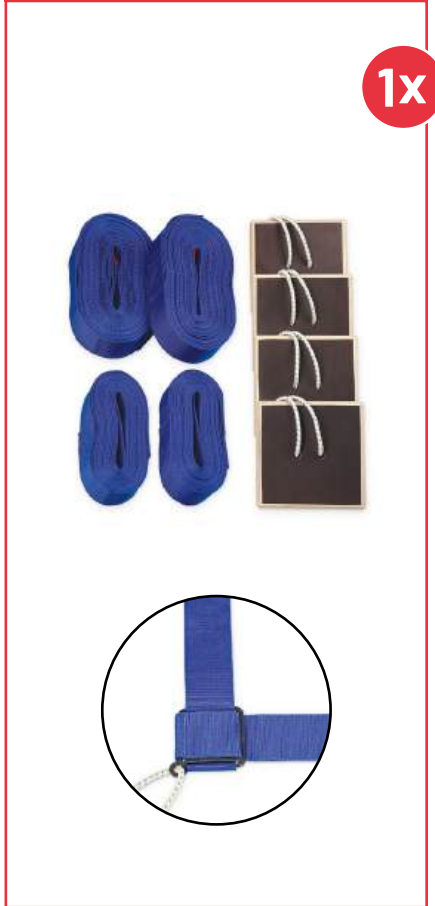


FLEXIBLE

Pro Beach net PLUS, incl. net antennas PLUS, 2-piece, with velcro strap net holders, Item-No.: 111601



Pro Beach courtline
Item-No.: 111304

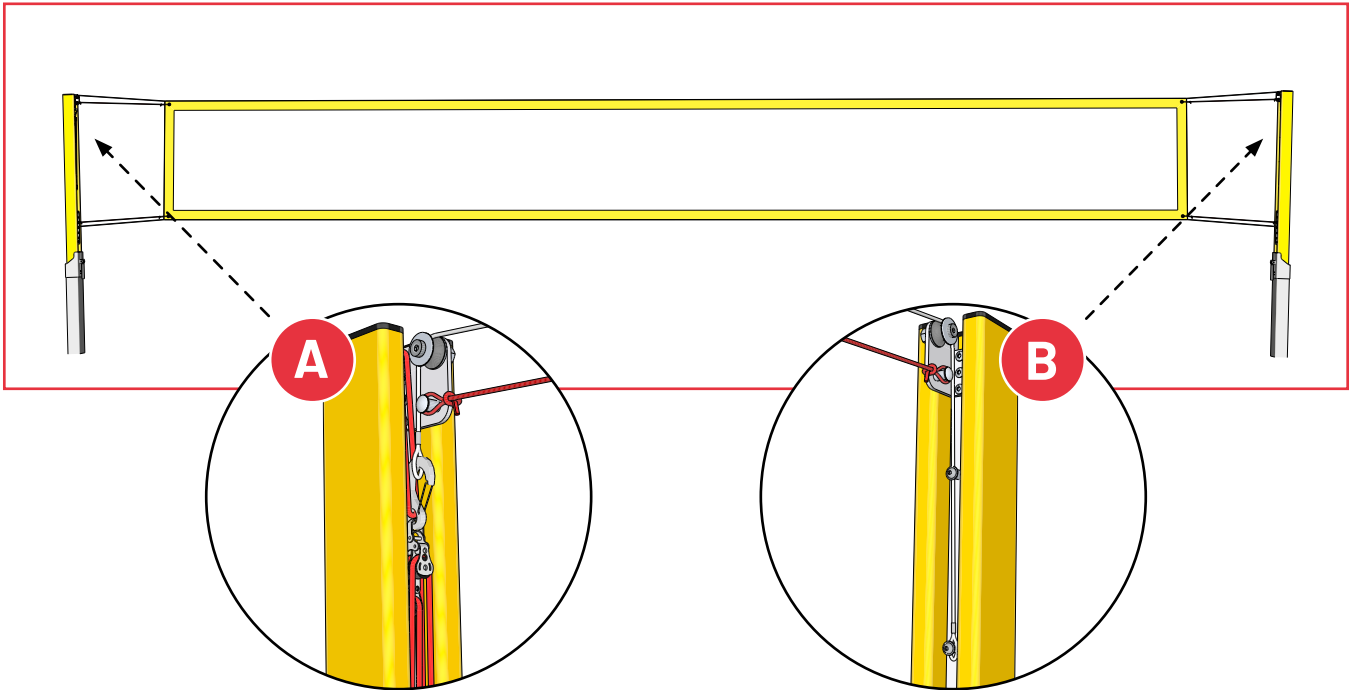


Post pads, square-cut (100 x 100 mm), 1 pair
Item-No.: 111353

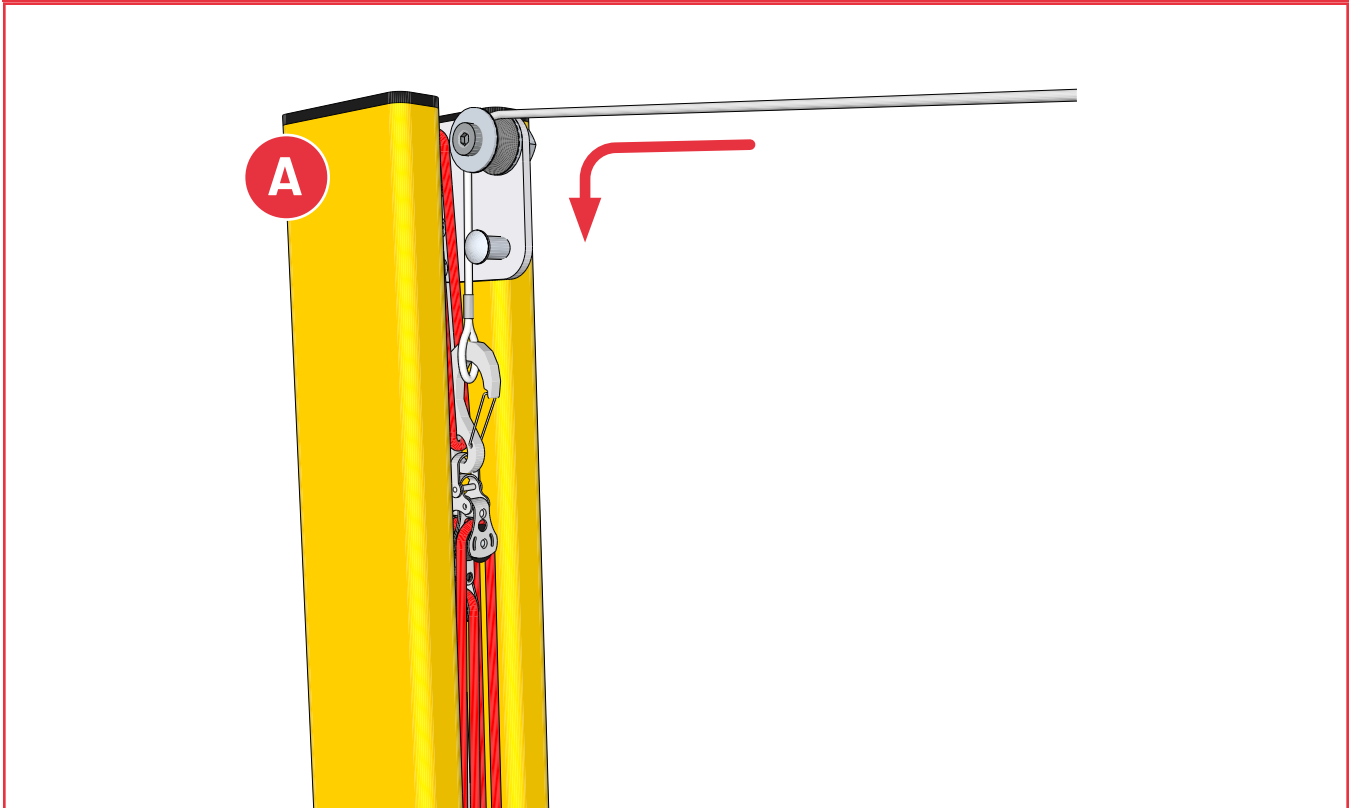




NET INSTALLATION

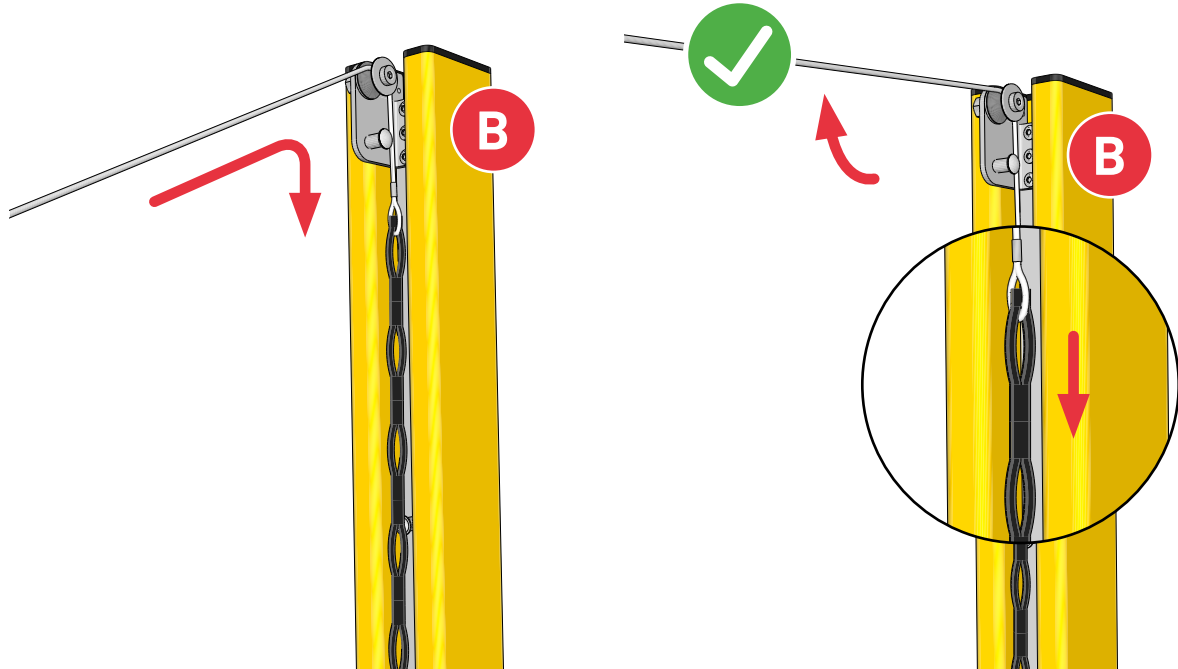


Connect head band net cable to carabiner of the pulley tensioning system

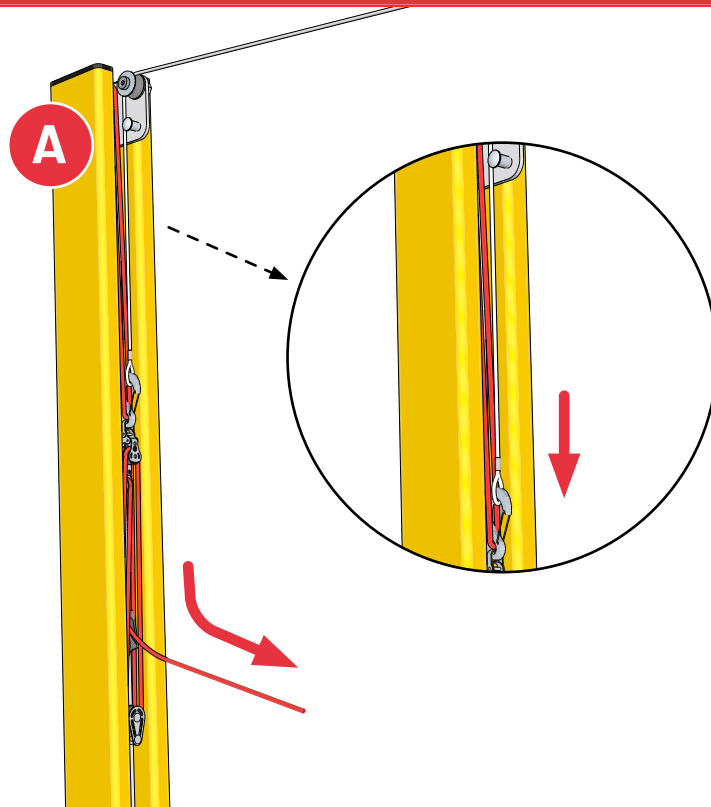


NET INSTALLATION

Install net cable to opposite side and apply some pre-tension by hand

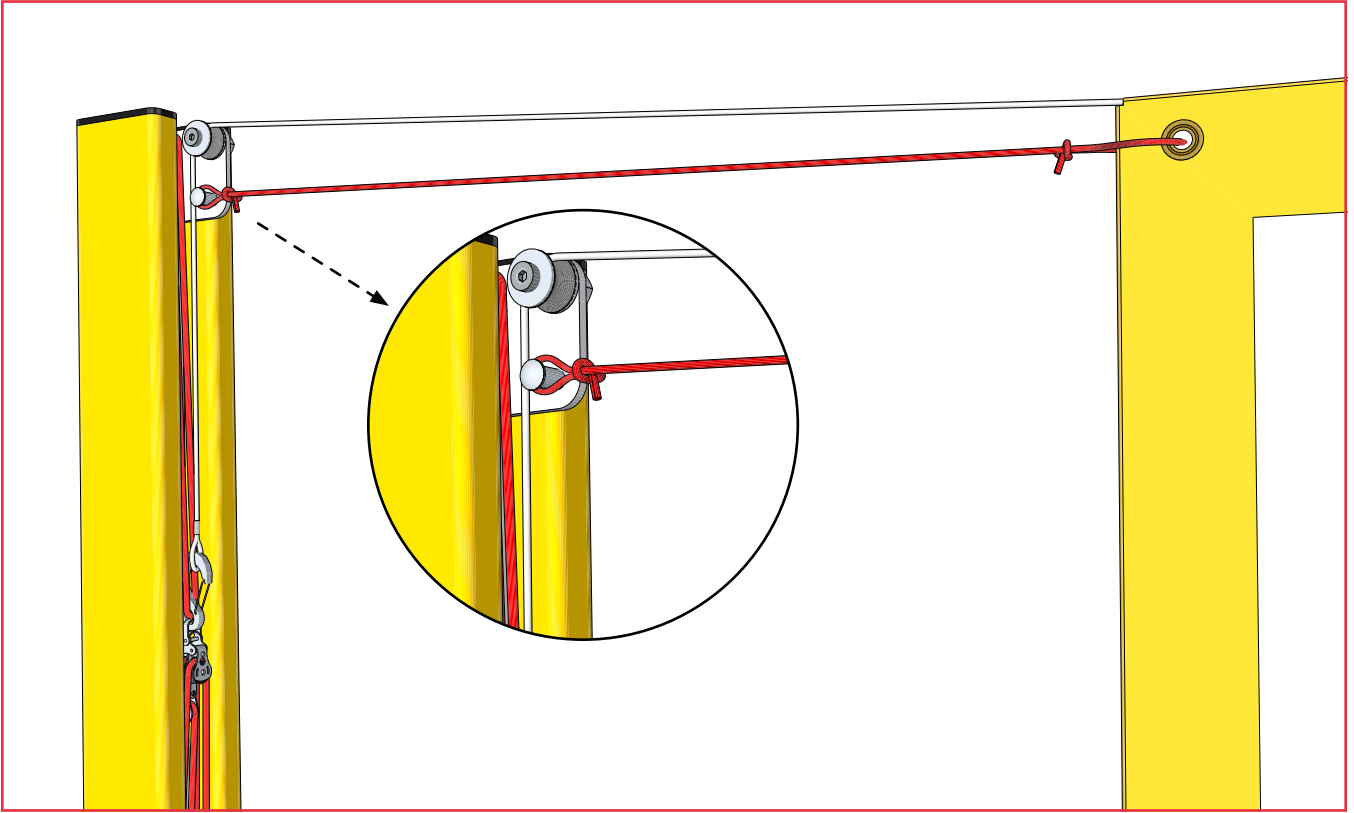


Pull the red pulley rope to achieve the required net tension

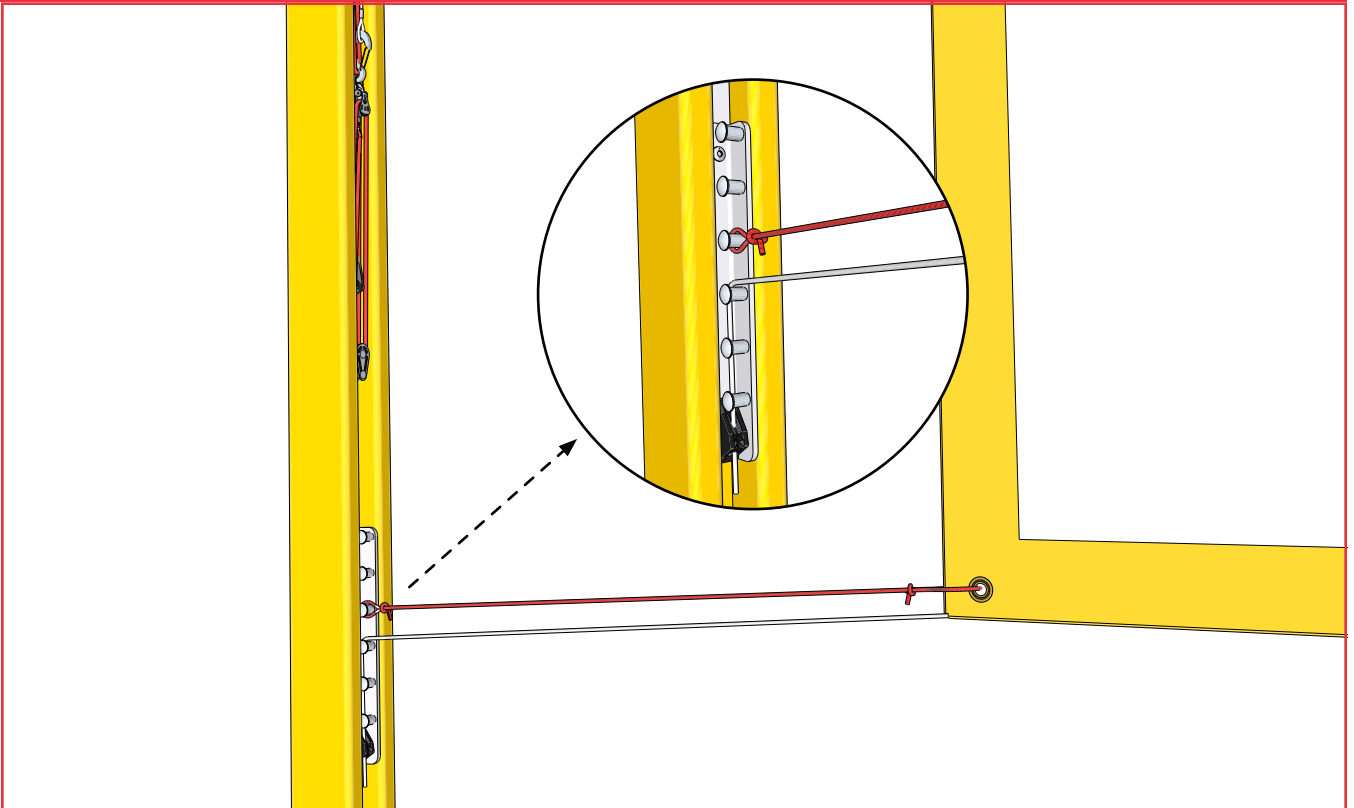


NET INSTALLATION

On both sides: use red ropes to centre the net between the posts



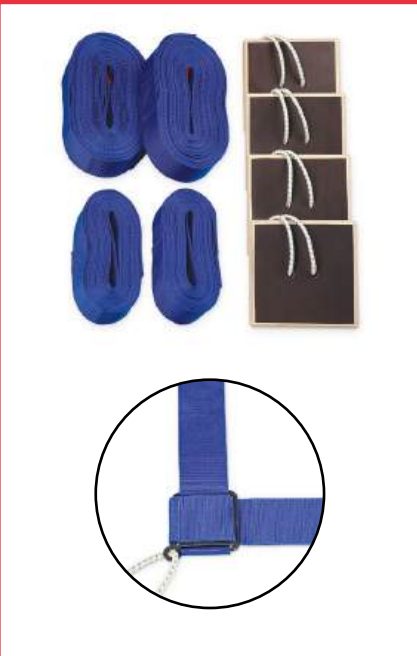
On both sides: tighten the bottom net cord and bring the net into a vertical position



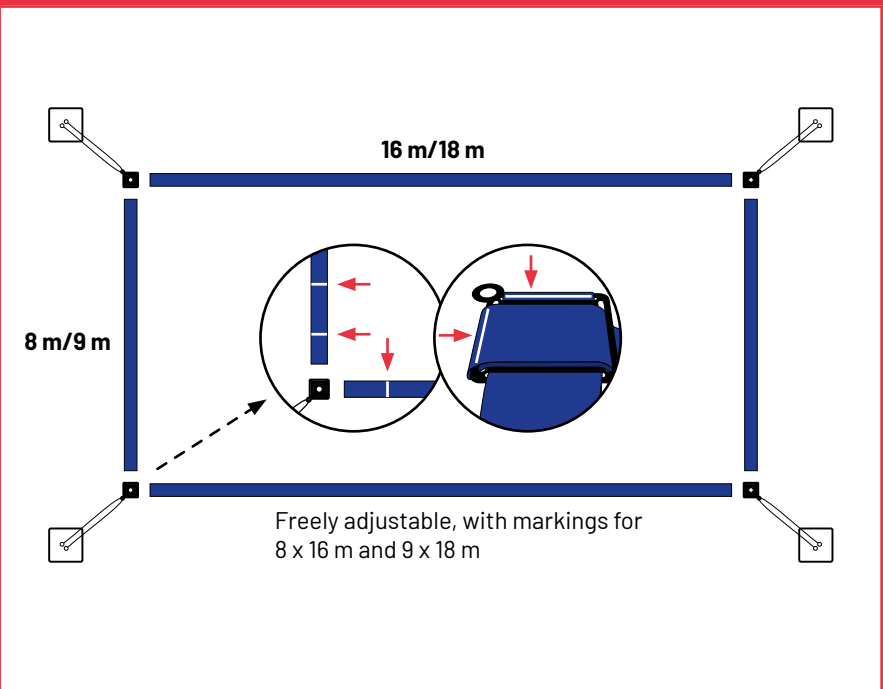
COURTLINE ASSEMBLY

ITEM-NO.: 111304

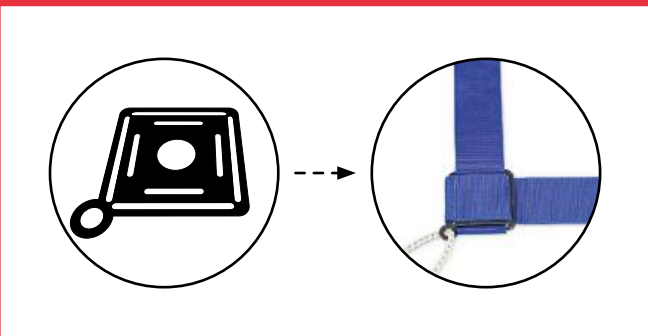
Pro Beach courtline
Item-No.: 111304



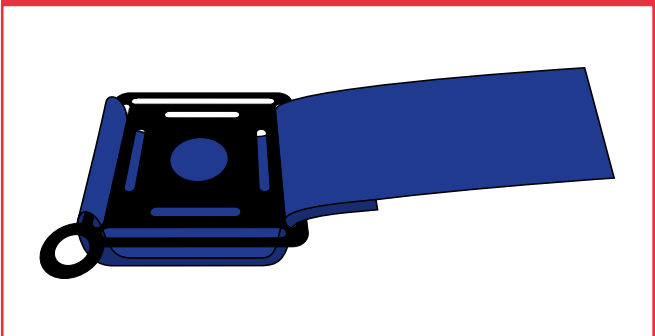
Overview



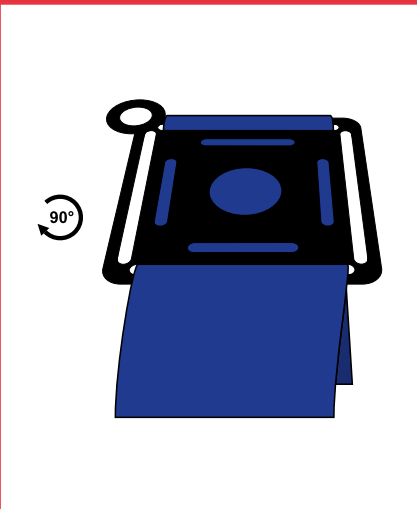
Assembly guide:



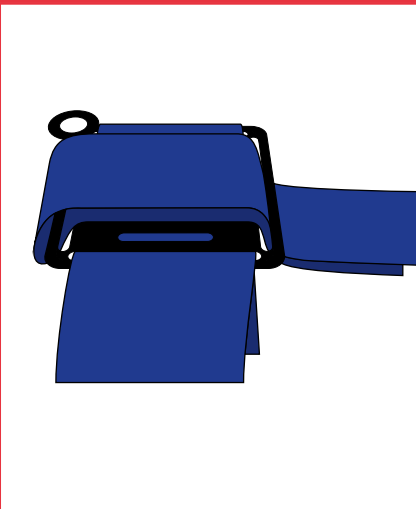
1. Thread strap through at the bottom side



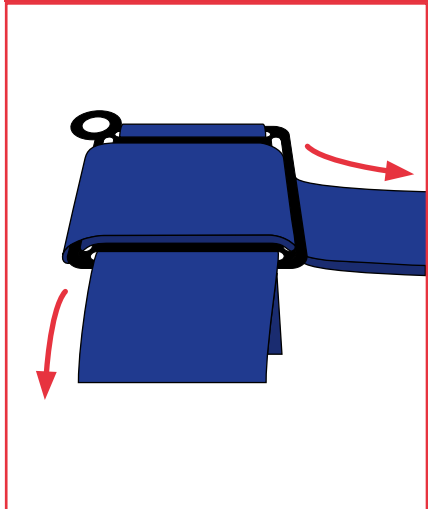
2. Turn by 90°



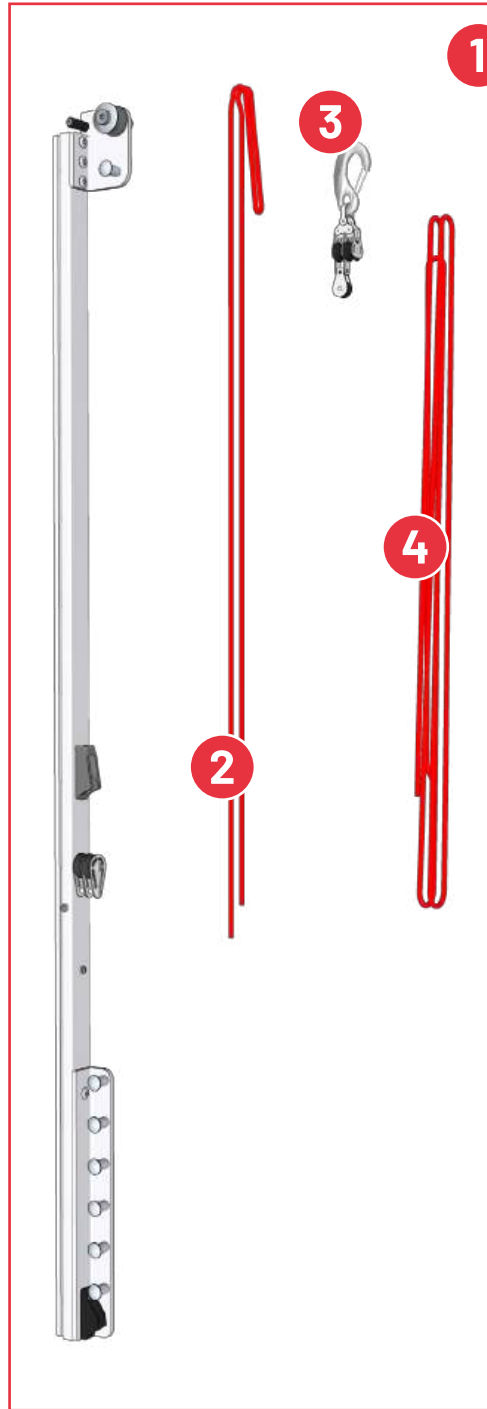
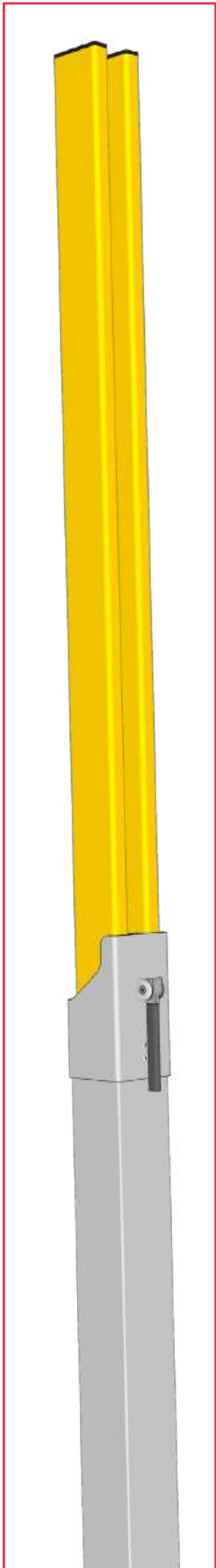
3. Thread through at the top



4. Tighten the straps



SPARE PARTS



	Description	Item-No.
1	Pulley tensioning slider for Pro Beach posts	206-200
2	Elastic cord, 8 mm diameter, red	206-215
3	Top-block with stainless steel carabiner	206-217
4	Pulley rope, made from polyester	206-218
5	Tensioning counter slider for Pro Beach posts	206-300

EC DECLARATION OF CONFORMITY

In Accordance with the Directive 2006/42/EC on machinery, Annex I

we hereby declare that the machine designated below, in its design and in the versions placed on the market by us complies with the essential health and safety requirements of the EC Directive 2006/42/EC, Annex I.

Description of the machine:

This machine is a Volleyball net post system for outdoor use. The main net post is being supplied together with a specially designed socket adapter that allows the post to slide up and down once the post has been inserted into the socket. The socket is equipped with an elastic cord that is being tensioned by the weight of the net post.

- Model: 111206 – Beach Volleyball posts Pro Beach (CB = City Beach), with freestanding sockets (for use with square timber beams)
- Model: 111205 – Beach Volleyball posts Pro Beach (BD = Bolt Down), with bolt-down sockets (for an installation on a concrete foundation)
- Model: 111204 – Beach Volleyball posts Pro Beach (S = Switch), with removable sockets

Manufacturer:

FUNTEC Sports GmbH
Löhestr. 25
53773 Hennef
GERMANY

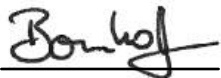
Applied norms:

We declare that no harmonized standards are applied. However, the following technical specifications are applied:

- DIN 33957: Playing field equipment - Beach sports equipment - Requirements and test methods
- DIN EN 1271: Playing field equipment - Volleyball equipment - Functional and safety requirements, test methods; German version EN 1271:2014

Authorised representative for technical documentation:

FUNTEC Sports GmbH, Löhestr. 25, 53773 Hennef



Gregor Bornhoff

FUNTEC